

M100-SC 110V50Hz1ph

Table of Contents

Complete machine with scope of supply

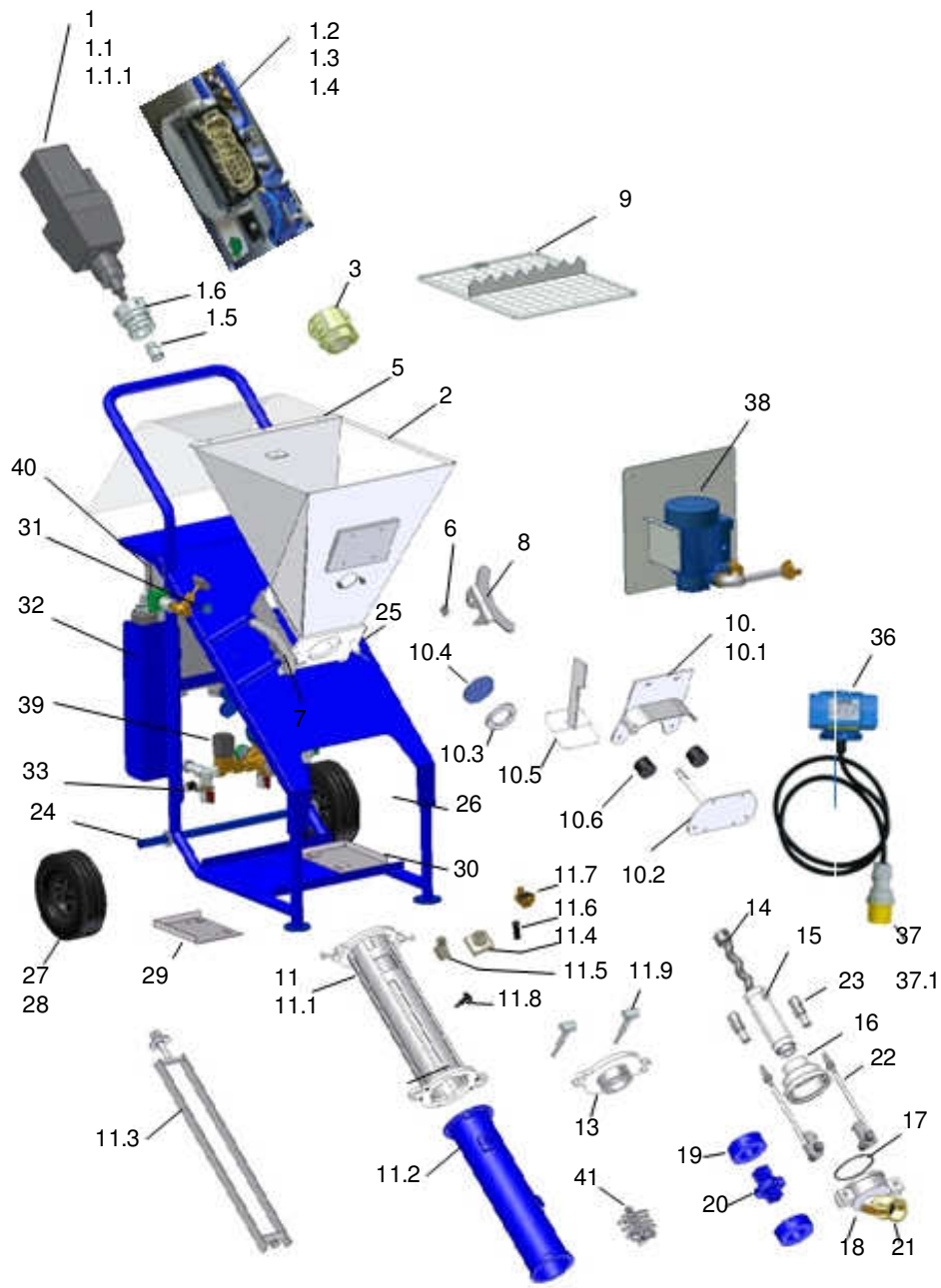
Spare parts

M100-SC 1,8 kW 110V 50Hz 1ph
Control panel 110
Water pump & water fittings
Accessories

**For further accessories and spare parts
please refer to our catalogue: "Accessories"**



ENG-025424

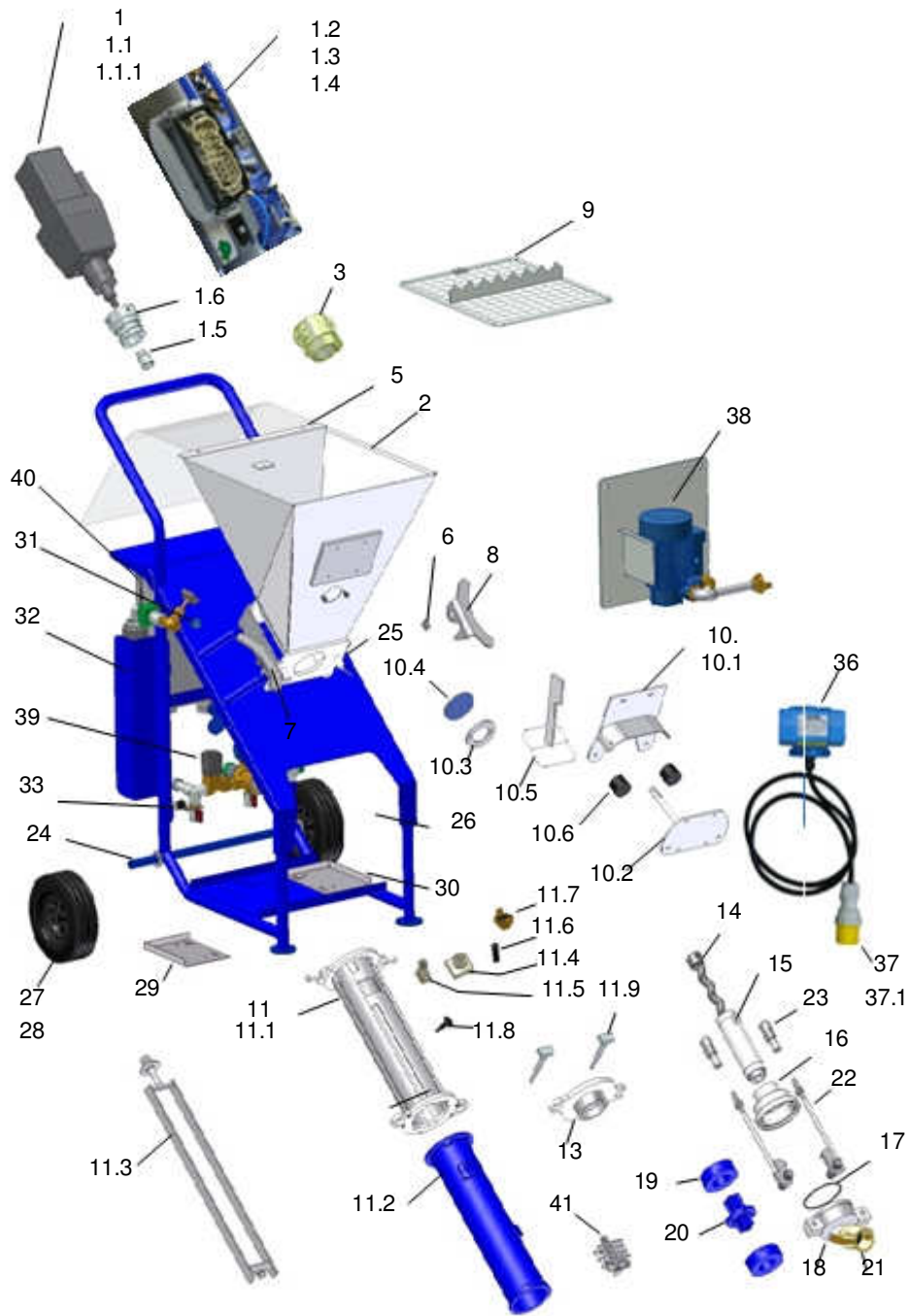


Spare parts

M100-SC

Pos.	Artikel no.	Description
0	664300	M100-SC 1,8kW 110V 50Hz 1ph
1	664310	Drive unit 1,8kW 110V50Hz1ph kpl.
1.1	664012	Motor EHB23/2,2-110V50Hz1ph
1.1.1	548729	Circuit board for motor 110V EHB23/32
1.2	548707	Seal for the terminal box
1.3	664311	Attachment housing
1.4	664312	Pin insert
1.5	664022	Socket wrench AF22
1.6	664013	Coupling
2	664404	Material hopper
3	664025	Automatic coupling F50 2" internal thread
4	664005	PVC cover
5	664004	Strip for the PVC bands
6	664422	Insert for sealing lever
7	664438	Seal - left
8	664439	Seal - right
9	664206	Protective grid
10	664410	Vibrator grid cpl.
10.1	664412	Adapter plate for vibrator
10.2	664413	Mounting bracket for vibrator
10.3	664414	Pressure flange
10.4	664416	Rubber seal
10.5	664417	Vibrator screen
10.6	807274	Rubber buffer
11	664420	Kit for mixing pipe long
11.1	664434	Rack for mixing pipe - long
11.2	664436	PU insert long
11.3	664437	Mixing pipe - long
11.4	664424	Distance piece (spacer)
11.5	664425	Nozzle
11.6	664426	Insert for sealing lever
11.7	561200	GEKA 1/2" Internal thread
11.7.1	561273	Seal for GEKA
11.8	664427	Seal
11.9	664321	Clamping wedge
o.Abb.	610060	Steel rope
o-Abb.	610061	Crimping socket aluminium No.12 = Option:
12	664419	Kit: Mixing pipe short
12.1	664407	Rack for mixing pipe - short
12.2	664423	PU insert short
12.3	664408	Mixing shaft - short
12.4	664424	Distance piece (spacer)
12.5	664425	Nozzle
12.6	664426	Insert for sealing lever
12.7	561200	GEKA 1/2" Internal thread
12.7.1	561273	Seal for GEKA
12.8	664427	Seal
12.9	664321	Clamping wedge
o.Abb.	610060	Steel rope
o-Abb.	610061	Crimping socket - aluminium
13	664428	Flange for mixing pipe
14	664325	Stator B4-1,5 (100%)
15	664326	Rotor B4-1,5 (100%)

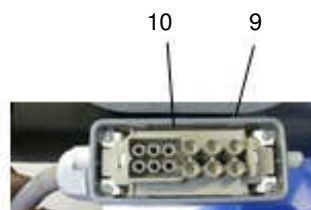
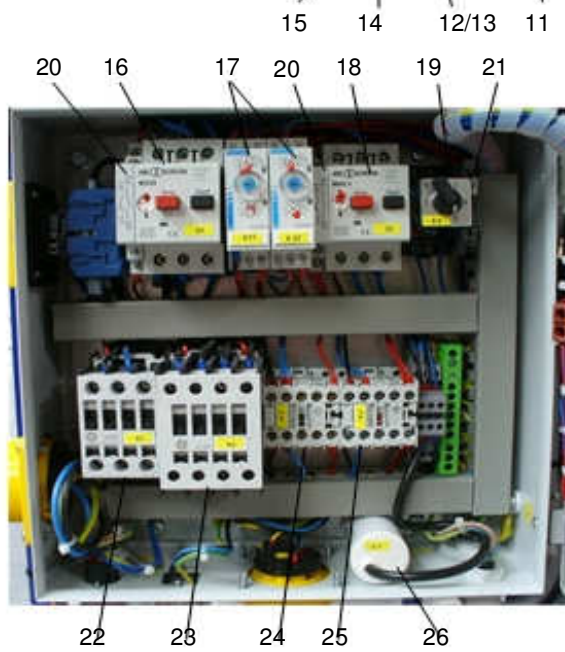
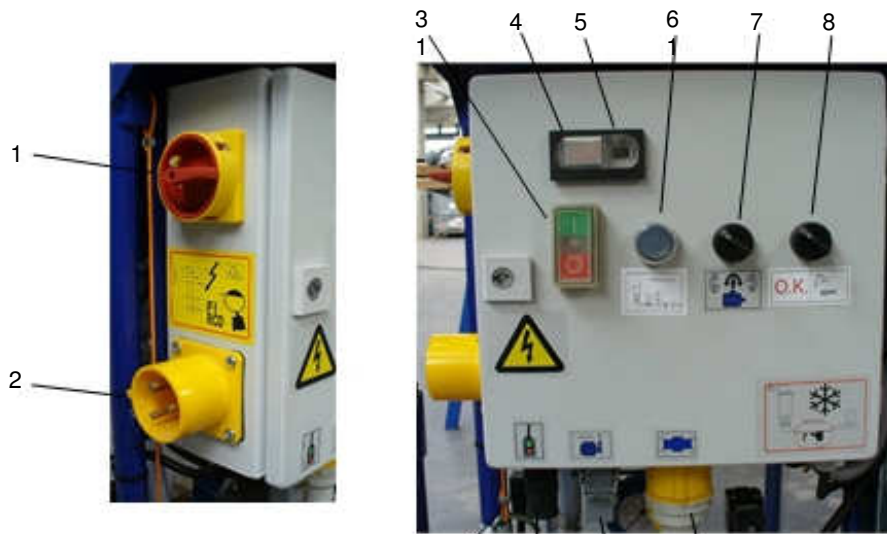
ENG-025424



Spare parts

M100-SC

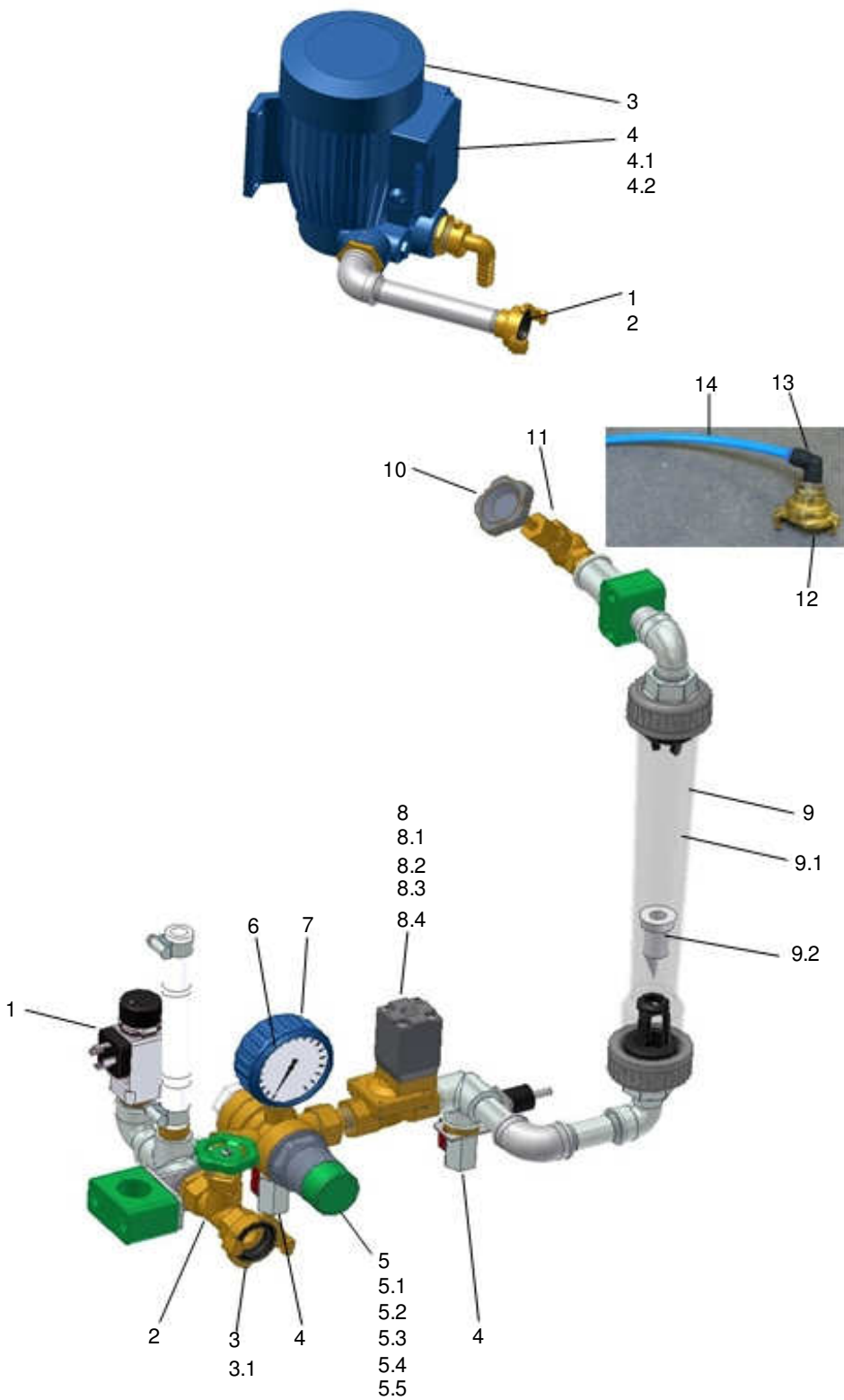
Pos.	Article No.	Description
16	664429	Aftermixer inflow
17	664432	O-Ring
18	664431	Aftermixer outflow
19	664476	PU insert blue
20	664477	Mixing unit PU blue
21	605063	Mortar hose quick coupling M25
22	664462	Tension rod
23	664461	Tension nut
24	664402	Rack
25	572108	Folding pin
26	664005	PVC cover
27	560072	Solid rubber wheel
28	548726	Spring washer with cover for shaft Ø 20mm galvanized
29	664405	Compressor sheet right
30	664406	Compressor sheet left
31	730385	Hose bracket 10-6
32	664409	Protective sheet
33	549357	Rubber buffer
o.Abb.	560766	Clamping rubber 700mm
36	664335	Electrical vibrator
37	664336	Cable for vibrator
37.1	664353	CEE-plug 16A4pol6h
38	664485	Water fittings (see corresponding section)
39	664480	Water fittings (see corresponding section)
40	664340/001	Control panel M100 SC 110V50Hz1ph, (see corresponding section)
41	664339	Option: Mixing unit steel



Spare parts

M100-SC

Pos.	Article No.	Description
0	664340/001	Control panel M100 SC 110V50Hz1ph
1	602117/001	Main switch
2	664347	EEC approved attachment plug 32A3pol4h
3	574041	Dual push button cpl.
3.1	574034	Dual push button
3.2	574035	Rubber membrane
3.3	574043	Switching element 1 make contact
3.4	574037	Switching element 1 break contact
3.5	574038	Lamp socket
3.6	545169	Incandescent lamp 24V 2W
4	574203	Rubber membrane for motor protection switch
5	574204	Protective cover for motor protection switch
6	574045	Push button cpl. 1 make contact black
6.1	574046	Push button with mounting
6.2	574047	Protective cap, transparent for the push button
6.3	574043	Switching element 1 make contact
7	610146/001	Selector switch 1-2 spring loaded cpl.
7.1	610146	Selector switch 1-2 spring loaded
7.2	574043	Switching element
8	602097/008	Switching element 1-2 locking cpl.
8.1	602097	Switching element 1-2
8.2	602094	Support for 5 contacts
8.3	574037	Switching element
9	664349	Sleeve housing
10	664348	Bush insert
11	664352	Attachment housing 16A4pol4h
12	603306	Bush insert 3pol + PE
13	603304	Attachment housing
14	573011	Flange socket 4 pin
15	571653	Connector plug 4 pin with contact bridge
16	601321	Motor protection switch 16-20A
17	554382	Multifunctional relais TU2R3
18	561007	Motor protection switch 4-6,3A
19	664446	Multiple contact switch (5 levels)
20	546688	Auxilliary contact 1 x break contact, 1 x make contact
21	664046	Microfuse 5A
22	664344	Contacteur 12kW
23	664343	Contacteur 11kW
24	664345	Contacteur 2,2kW
25	664346	Contacteur 5,5kW
26	556008	Condensator 8mf
27	563382/001	Plug-in card M100 SC
o.Abb.	664351	CEE-coupling 32A 3pol 4h

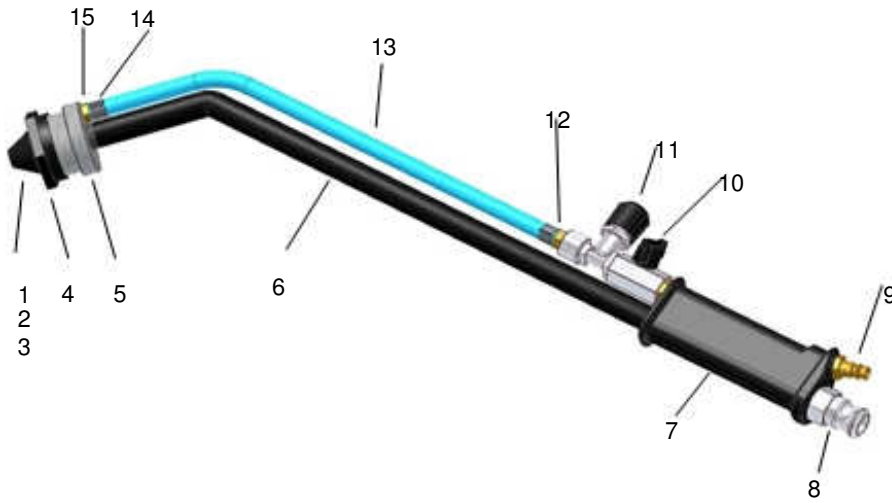


Spare parts

M100-SC

Pos.	Article No.	Description
0	664485	Water pump cpl. CTM61
o.Abb.	664338	Mounting bracket for water pump
1	561200	GEKA 1/2 Internal thread
2	561563	Sieve insert conical
3	664332	Water pump CTM61E
4	664333	Cable cpl.
4.1	561976	Pin insert
4.2	664066/001	Sleeve housing
0	664480	Water fittings 110V
1	607054	Pressure monitor pre-set to 2.2 bar
2	600057	Straight through valve 1/2"
3	561263	GEKA coupling
4	561216	Ball valve 1/4" outside thread
5	607046	Pressure reducer
5.1	607047	Membrane for pressure reducer
5.2	561205	Double sieve for the pressure reducer 1/2"
5.3	561207	Sieve chamber for the pressure reducer 1/2"
5.4	561213	Key for sieve chamber
5.5	607044	Plastic cap
6	573297	Manometer 0-4 bar
7	600488	Rubber protective cap for the manometer
8	664121	Solenoid valve 1/2" 110V
8.1	664123	Coil for solenoid valve
8.2	561209/001	Membrane
8.3	561215	Cover for the solenoid valve 1/2"
8.4	561988	Wear part set (MK 8000)
9	664481	Flow meter 0-330 l/h
9.1	664482	Meter tube
9.2	664483	Measuring cone for flow meter
10	571025	Fine regulating valve 1/4" internal thread
11	730353	Plug screw connection 1/4 - 8mm
12	561200	GEKA coupling
13	730368	Angular screw connection 1/4 - 8
14	530408	Air hose 8/6 blue, cut goods

Zubehör



0	664465	Spray device
1	664471	Nozzle d=4mm
2	664472	Nozzle d=6mm
3	664473	Nozzle d=8mm
4	664470	Locking piece
5	664466	Base unit
6	664467	Pipe
7	664468	Grip
8	664385	Mortar hose coupling V14
9	664469	Plug for air coupling
10	664377	Pet cock
11	664376	Feinreguliertventil
12	600502	Brass hose clip 3/8 x 1/4
13	530412	Air hose 0,39m
14	664378	Clamp
15	664375	Hose connector



0	664390	Hose pressure manometer NW14 (M14/V14)
0	664320	Hose pressure manometer NW25 (M25/V25)



0	664358	Reducing piece V25/M14
----------	---------------	-------------------------------

Accessories



0	664380	EPDM Mortar hose 20bar DN13mm L=15m
1	664386	Mortar hose quick coupling V14 1/2" IG
2	664392	Mortar hose quick coupling M14 1/2" IG
2.1	664397	Seal for mortar hose quick coupling DN15
2.2	664398	Cam lever for cast housing
2.3	664356	Cylinder pin 4x20
2.4	664399	Steel ring
3	664354	Grommet 1/2" AG



0	664382	EPDM Air hose 15bar DN13mm L=16m
1	664394	Air hose-male coupling DN7,4 with grommet 1/2"
2	664355	Air hose quick coupling DN7,4 with grommet 1/2"



0	549220	Remote control unit cpl.
1	549226	Trigger w/o key and description plate
1.1	549227	Insert calotte red
1.2	549228	Sealing cap
1.3	573017	Coupling plug 4 pin straight



0	664381	EPDM Mortar hose 20bar DN13mm L=1,5m
1	664386	Quick coupling V14 1/2" IG
2	664354	Grommet 1/2" AG

Zubehör



0 664396 Rubber cleaning ball 1packing unit á 5 pieces



0 605065 Cleaning tool M25/GEKA



0 610051 Cleaning hose



0 605059 Wire brush



0 601136 Wrench SW10x13

0 600280 Wrench SW19x24



0 603078 Meko 110-110V50Hz1 ph