



# D30

	Page
<b>Contents</b>	
<b>Complete Machines with Scope of Supplies</b>	2
<b>Accessories</b>	3
<b>Spare Parts</b>	
D30-WP-SI, 400V	4 - 5
Terminal Box	6 - 7
Electric Control D30-WP-SI, 400V	8 - 9
D30-III, 400V	10 - 13
Electric Control D30-III, 400V	14 - 15
Water Fitting	16 - 17
Water Pump compl.	18 - 19
Flow Meter (Option)	20 - 21

**For further accessories as well as the spare parts of the accessories please refer to catalogue "Accessories"**



# Complete Machines with Scope of Supplies

continuous mixer for bagged material, silo material  
and for pneumatic charging

## D30

566600	D30-WP-SI 400V 50Hz 3ph 4kW - with water pump
566300	D30-III-WP 400V 50Hz 3ph 4kW - with water pump, PU- mixing tube and PU-mixing tools



# Accessories

## D30

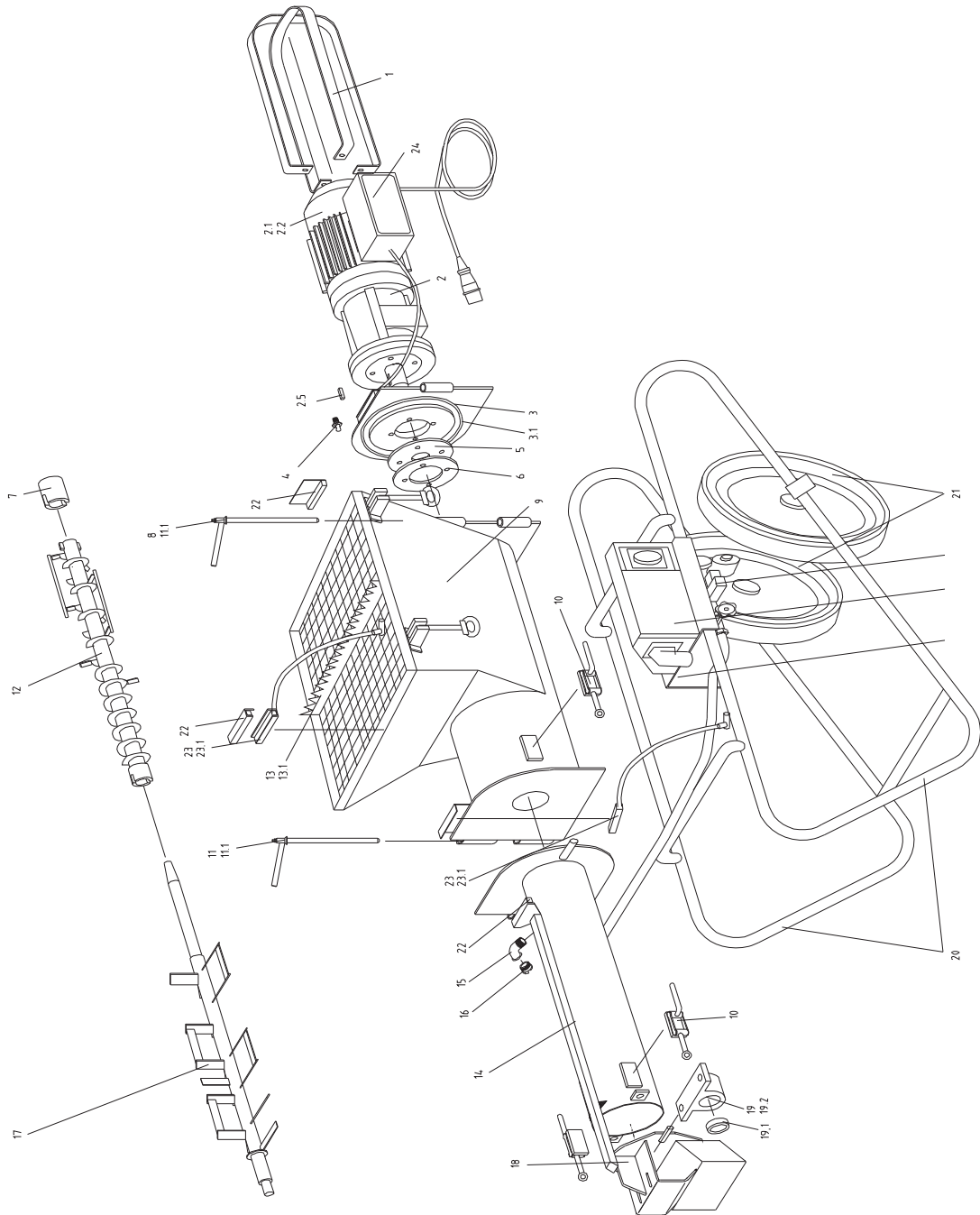
565060	Conveyor screw, D30, 30 pitch
565057	Conveyor screw, D30, 50 pitch
565052	Conveyor screw, D30, 70 pitch
552865	Fixing set for filter hood, delivery hood or extension hopper (not within D30 scope of supplies)

## D30-SI

565660	Filterhood, incl. rotating sensor, SI-Version
--------	---

## D30-III

565670	Filterhood, incl. rotating sensor
561118	Extension hopper
601351	External water pump 230V
601185	Suction hose, 3/4", 4m, compl.
602307	Water hose, 3/4", 20m, with GEKA coupling
565025	Flow meter, D30, compl.
565138	Cover for material trough
562124	Jack ring, screwable (Caution: Remove filter hood for handling by crane.)
570024	Connecting cable 5 x 1,5, 50m 400V (16A 5pole 6h)

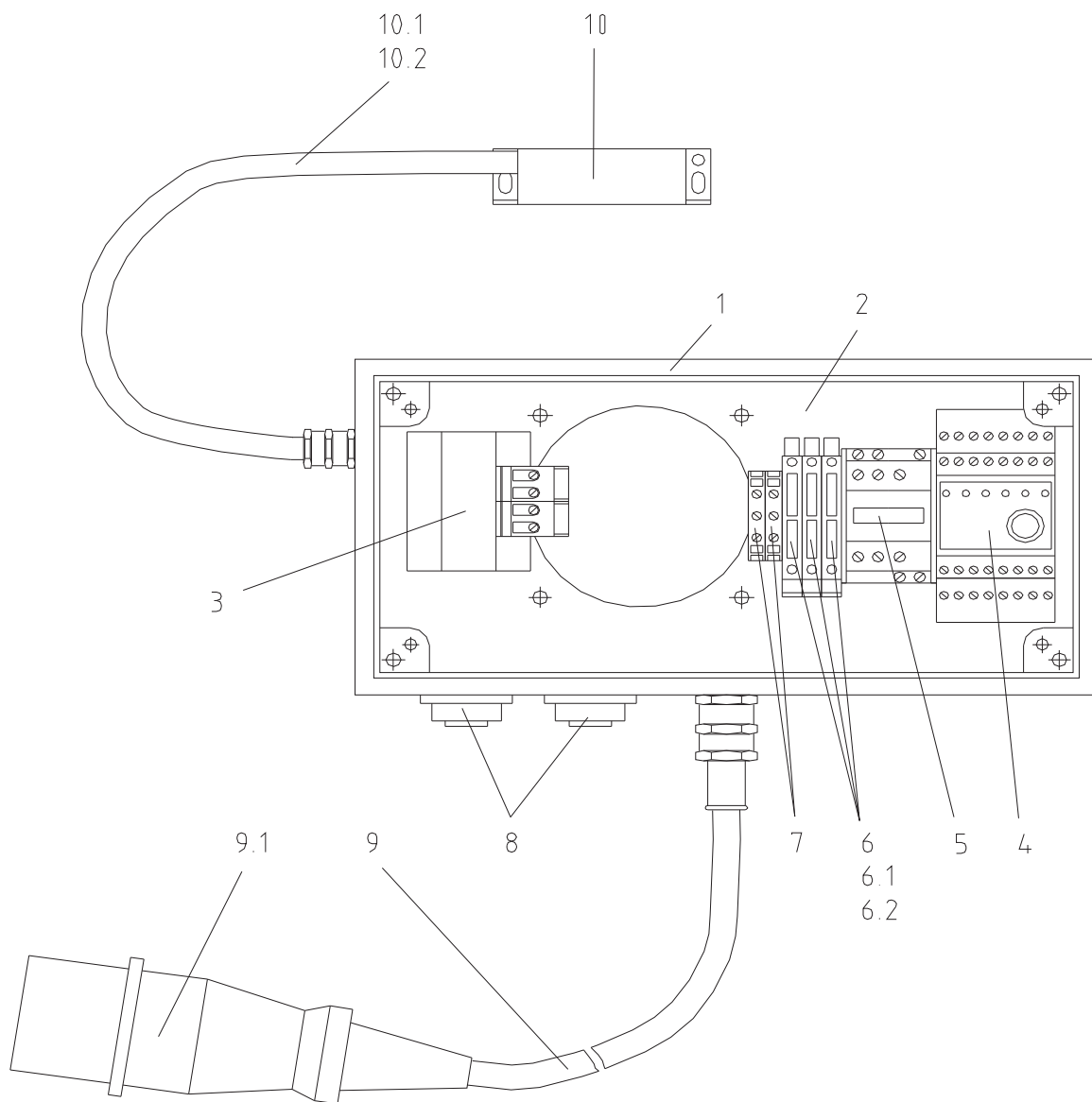




## D30-SI Spare Parts

### D30-WP-SI 400V 50Hz 3ph

Pos.	Ref.-No.	Description
<b>0</b>	<b>566600</b>	<b>D30-WP-SI 400V 50Hz 3ph</b>
1	560009	Motor protection
2	560085/002	Motor 4kW compl. with additional parts
	560610	Motor 4kW compl. incl. control box
2.0	560001/002	Gear motor 4kW, 260rpm.
2.1	560891	Fan guard for gear motor
2.2	560008	Fan blade for gear motor
2.3	565002	Mixer connecting cable 1,4m, 16A 4pol 6h compl.
2.4	560027	Driving taper A8x7x50
2.5	560972	Drive shaft $\varnothing$ 30 x 58
2.6	560973	Gear set 1, z=22/41
2.7	560962	Gear set 2, z=12/70
2.8	560963	Shaft seal ring, DIN3760, 35x47x7, ANB (n. shown)
2.9	560973	Ball bearing DIN625, 6206, 2 Z
3	560611	Mounting plate
3.1	530069	Microcellular rubber, 10x6 (not shown)
4	560139	Grease nipple A M8x1
5	560005	Rubber seal D160/D40 x 8
6	560006	Pressure flange
7	560004	Motor coupling
8	545006	Holding bolt with handle 273mm
10	560059	Long eye bolt for excentric lock
11	560014	Holding bolt with handle
11.1	560015	Grease nipple
12	565055	Conveyor screw D30, grade 40
13	565615	Protective grate with bag opener
14	560022	Mixing pipe compl.
16	551023	GEKA coupling 1" ET
16.1	561273	Sealing for GEKA coupling, packing unit 10 pieces
17	560017	Mixing shaft
18	565135	Material outlet compl. with pedestal bearing
19	560019	Pedestal bearing compl.
19.1	561244	Bearing UC 204
19.2	560082	Cover plate
19.3	560083	Rubber seal
19.4	561024	Grease nipple C M8x1
20	565073	Frame trestle
21	565071	Solid rubber wheel D=400
22	601388	Magnetic system
23	565658	Magnetic switch incl. cable and plug compl. 1,5m
23.1	601387	Magnetic limit switch with cable, 3m
23.2	530093	Insulating tube, metal, per meter
23.3	606655	End Unit, brass, for insulating tube
23.4	573012	Coupling plug 4-pole
24	565655	Control box with monitoring device
25	565075	Adjustment ring

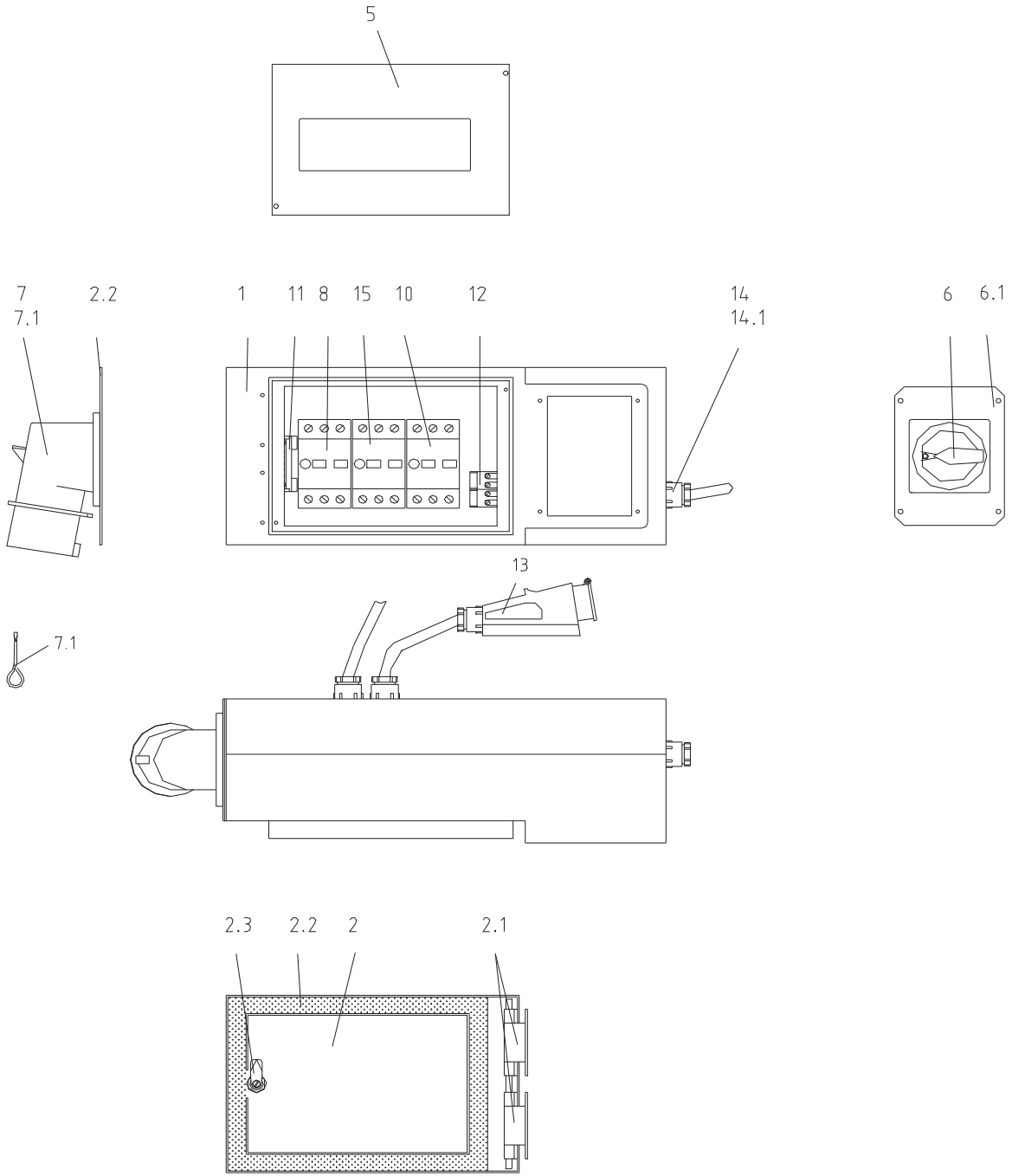




## D30-SI Spare Parts

### Terminal box

Pos.	Ref.-No.	Description
<b>0</b>	<b>565655</b>	<b>Terminal box compl.</b>
3	561086	Transformer prim 400V sec 24V
4	606216	Magnetic monitoring device
5	569126	Contactator 5,5kW 24V~ 3H 1S1Ö
6	561240	Fine-wire fuse bracket
6.1	573014	Fine-wire fuse support 0.5A
6.2	606218	Fine-wire fuse support 2A
7	572114	PE terminal
8	573011	Flange type socket 4-pole
9	565002	Mixer connection cable 16A 4pol 6h compl. length 1.4m for D30
9.1	552004	CEE plug 16A 4pol 6h
10	601387	Magnetic limit switch with cable
10.1	530093/001	Metallic protection pipe (per meter)
10.2	606655	End-piece for protection tube, brass



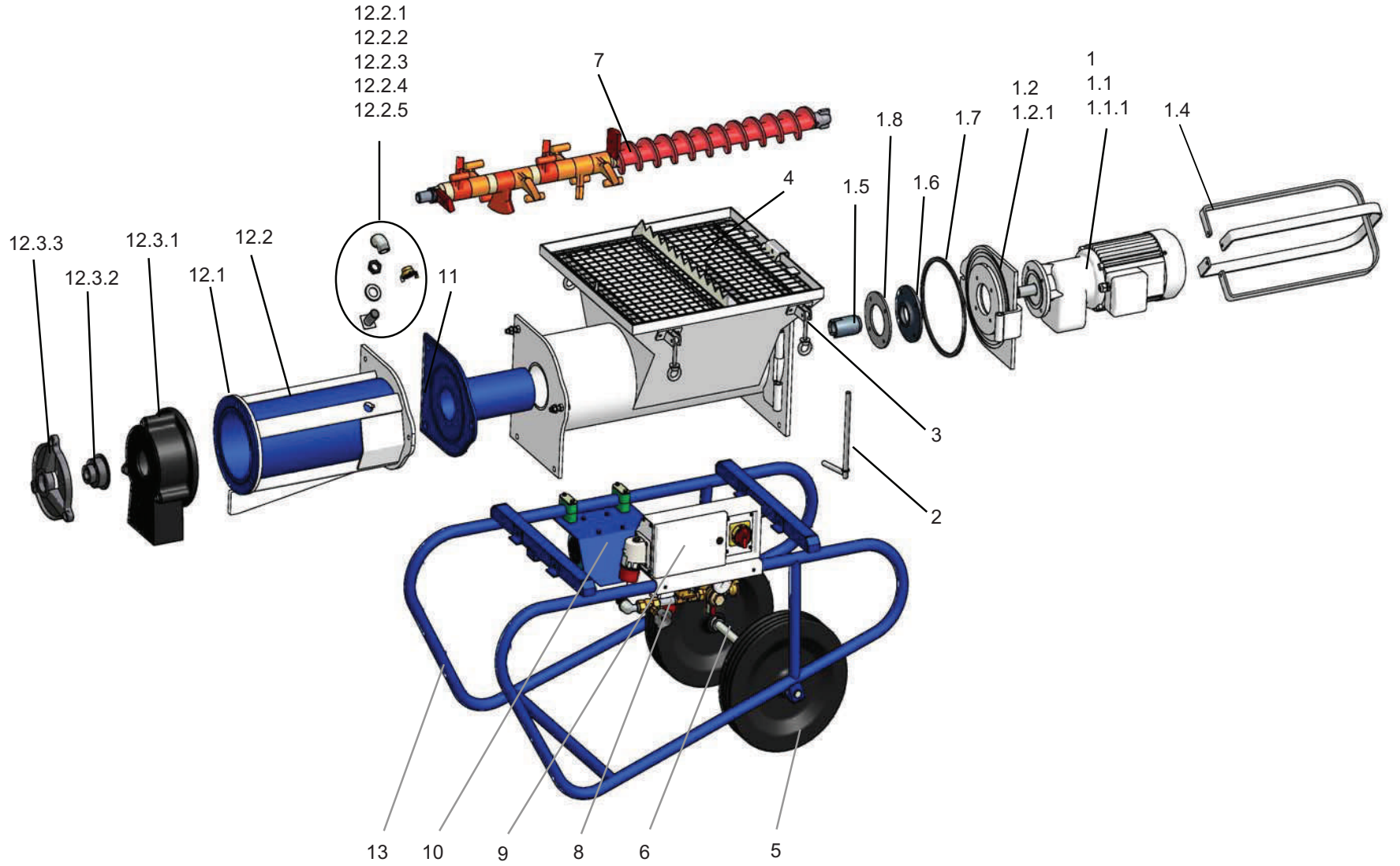




# Spare Parts

## Electrical Control System 400V

Item	Ordering No.	Description
<b>0</b>	<b>565013</b>	<b>Control system, 400V compl.</b>
2.1	554320	Door hinges (without hinge rack)
2.2	530060	Foam rubber seal 15 x 5 (per meter)
2.3	561539	Lock
5	561764	PVC cover plate
6	601737	Main switch with undervoltage release
7	570021	CEE Attachment device plug 16A 5pole 6h with phase converter
7.1	570034	Screwdriver for the phase converter
8	601635	Motor protection switch 6,3-10A
10	573245	Motor protection switch 0,4-0,6A
11	554101	PE terminal, 7 connection points
12	561015	Trafo Prim 400V 50Hz Sec. 42V
13	565022	CEE socket 16A 4pole 6h
14	545157	PVC screw connection PG11
14.1	545158	PVC counter nut PG11
<b>0</b>	<b>566013</b>	<b>Control system 400V with water pump compl.</b>
1-14		see above
15	601765	Motor circuit breaker 1,0-1,6A

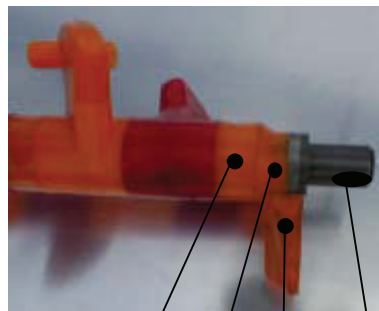
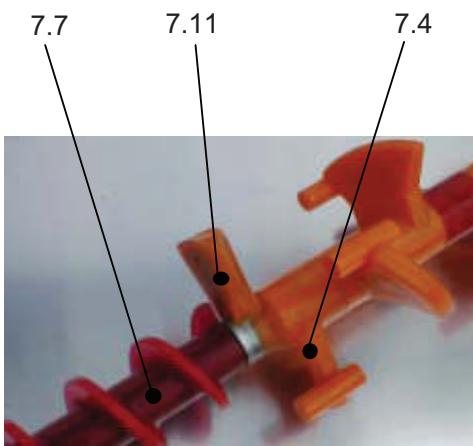
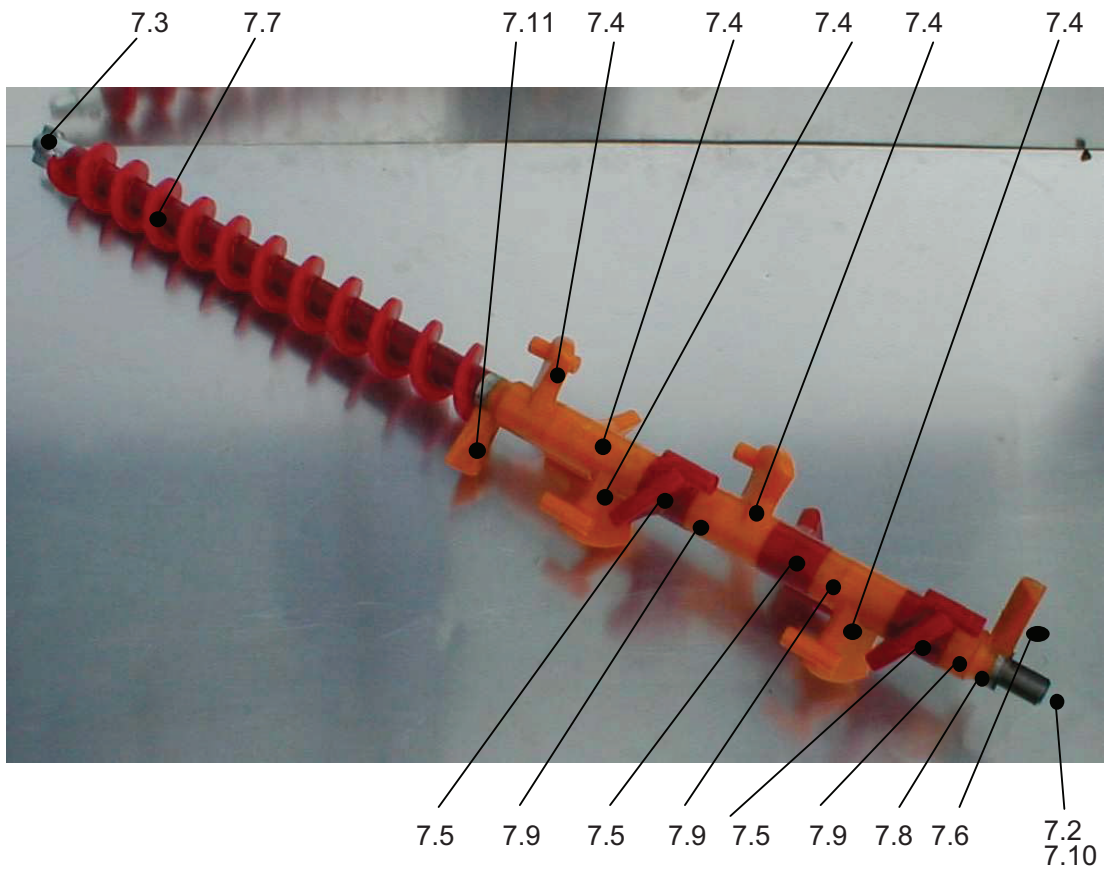




## D30-III-WP Spare Parts

### D30-III-WP 400V 50Hz 3ph

Item	Ref.-No.	Description
<b>0</b>	<b>566300</b>	<b>D30-III-WP 400V 50Hz 3ph</b>
1	560237/002	<b>Mixer motor, 4kW, 260rpm, complete (ABM), with add-on parts</b>
1.1	560001/003	Spur gear motor, 4kW, 260rpm (ABM)
1.1.1	560133	Fan guard for gear motor
1.1.2	560008	Fan blade for gear motor
1.1.4	560027	Driving taper A8x7x50
1.1.5	560972	Drive shaft, 30 dia. x 58
1.1.6	560961	Gear set, stage 1, z=22/41
1.1.7	560962	Gear set, stage 2, z=12/70
1.1.8	560963	Shaft sealing ring DIN3760, 35x47x7A NB
1.1.9	560973	Deep groove ball bearing DIN625, 6206 2 Z
1.2	560238	Mounting plate for D50
1.2.1	560139	Grease nipple A M8x1
not shown	560002	Mixer cable, 4x1.5, 3.5m
not shown	552004	CEE- plug, 16A 4pole 6h
not shown	602265	Skin tight screwing M20x1,5
1.4	560009	Motor protection yoke for 4kW
1.5	548124	Motor coupling for D50
1.6	560005	Rubber seal D160/D40 x 8
1.7	530069	Microcellular rubber seal 10x6
1.8	560006	Pressure flange for sealing
2	545006	Hinge pin with grip
2.1	560015	Grease nipple
3	560059	Eccentric catch with long eye screws
4	565112	Protective grate with bag opener
5	565071	Solid rubber wheel
6	565074	Axle
7	560243/002	Mixing shaft D30/D50-III compl.
8	565020	Water Fitting compl.
9	566013	Control box with monitoring device
10	601721	Mounting plate for water pump
11	560236/001	Rubber insert for meter tube
12	560240/003	Mixing pipe D50, complete
12.1	560233/001	Rack for rubber mixing chamber
12.2	560231	Rubber insert D50
12.2.1	560242/001	Connecting piece for rubber mixing chamber
12.2.2	573026	Lock nut 3/4", No.310, galvanised
12.2.3	571002	Elbow -92- 3/4" internal thread/external thread
12.2.4	573023	GEKA coupling 3/4" internal thread
12.2.5	570004	Washer DIN125-B 28
12.3	560246/001	Spout, complete
12.3.1	560267	PU-outlet
12.3.2	560239/001	D50 mixing shaft antifriction bearing
12.3.3	560266/001	End plate to PU-outlet
not shown	560434/001	Cylinder screw M12x160
13	565073/003	Frame trestle





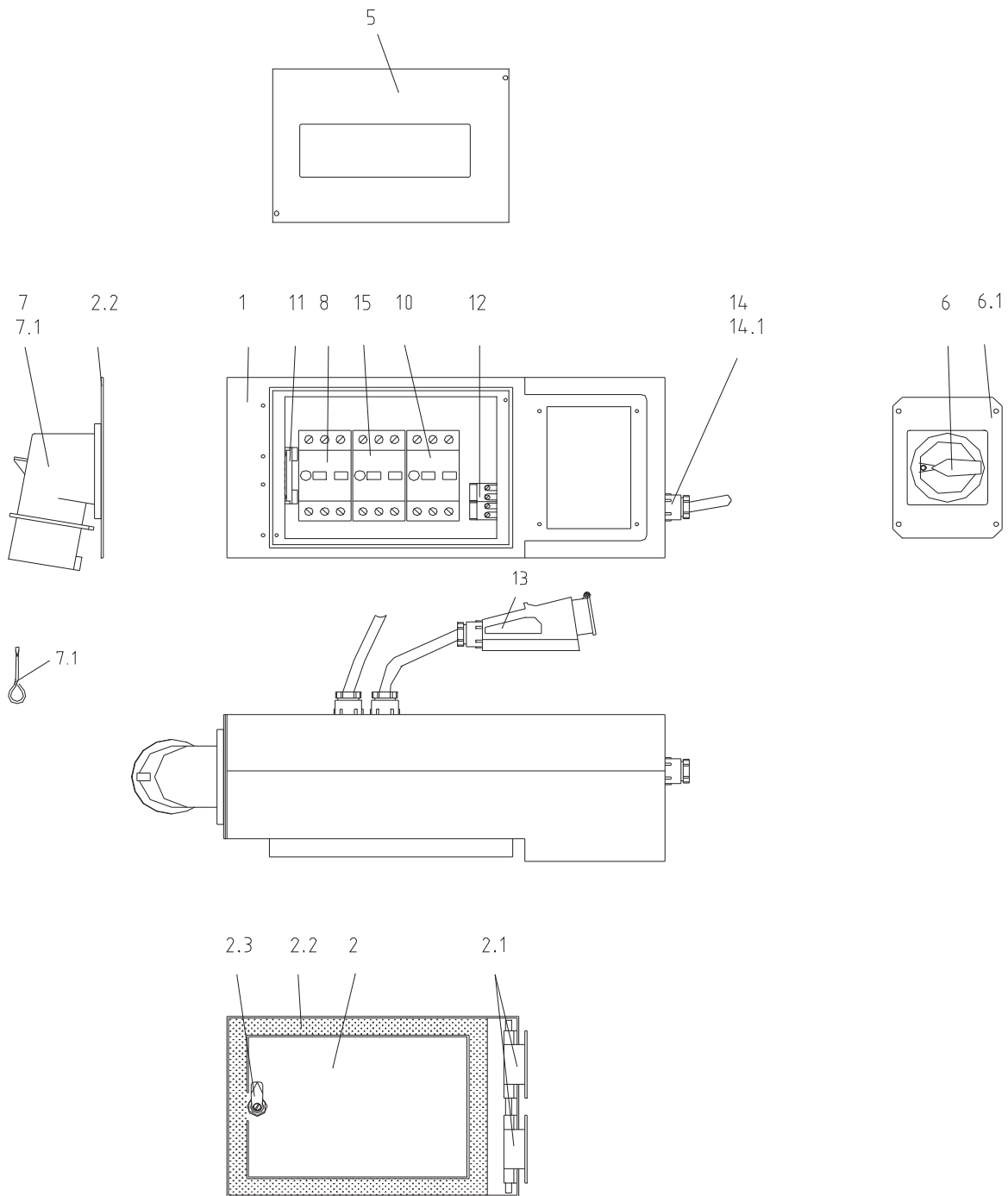
## D30-III-WP Spare Parts

### D30-III-WP

Item	Ref.-No.	Description
7.	560243/002	<b>Mixing shaft D30-III-WP compl. pitch 60mm</b>
7.1	560244/003	Supporting tube for mixing shaft calypso D30-III
7.2	560234	Shaft journal
7.3	560262	Coupling for conveyor shaft
7.4	560247	Drive blade, PU, yellow
7.5	560248	Counter blade, PU
7.6	560249	Stripper, PU, yellow
7.7	560232/003	Conveyor screw pitch 60mm
7.8	560255	Adapter for mixing shaft
7.9	560268	Spacer 27mm
7.10	560224	Cheese head screw DIN912 M12x70
7.11	560249/001	Stripper, PU reinforced

#### Optional:

7.7	560232/001	Conveyor screw pitch 45mm
7.7	560232/002	Conveyor screw pitch 80mm

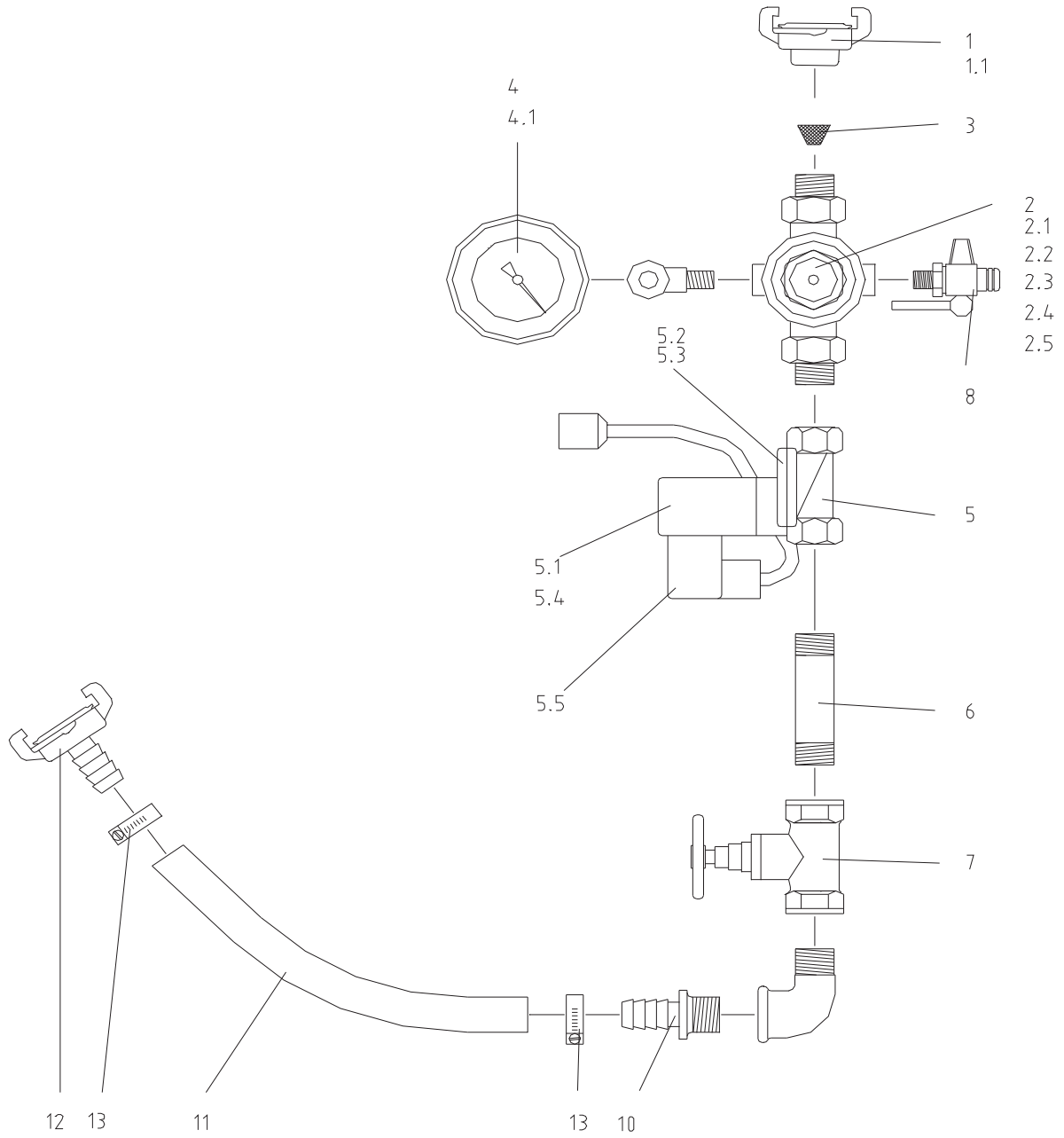




## D30-III-WP Spare Parts

### Electric Control System, 400V

Item	Ref.-No.	Description
<b>0</b>	<b>565013</b>	<b>Electrical control system, 400V (n.l.a.)</b>
2.1	554320	Door hinge
2.2	530060	Microcellular rubber, 15 x 5 (per metre)
2.3	561539	Lock
5	561764	PVC cover plate
6	601737	Main switch with undervoltage circuit breaker
7	570021	CEE- attachment plug as phase changer
7.1	570034	Screwdriver for phase changer
8	601635	Motor protection switch 6,3-10A
10	573245	Motor protection switch 1-0,6A
11	554101	PE terminal, 7 connection points
12	561015	Transformer 400/42V 50Hz
13	565022	CEE plug 16A 4pole 6h
14	545157	Screwing PG11
14.1	545158	Lock nut PG11
<b>0</b>	<b>566013</b>	<b>Electric control system, 400V, with water pump</b>
1-14		See above.
15	601765	Motor protection switch 1-1,6A



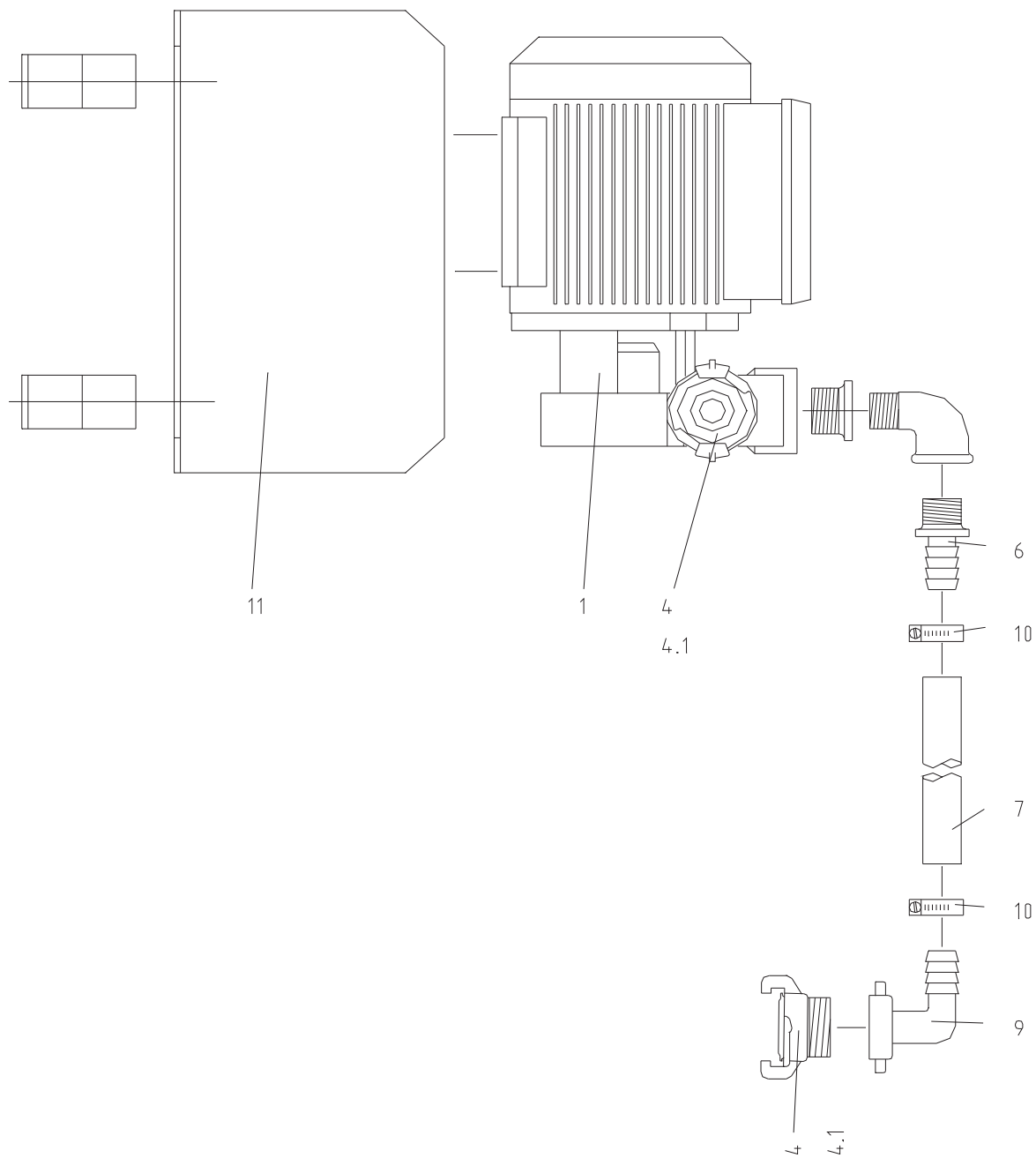




# Spare Parts

## Water Fitting 400V

Item	Ordering No.	Description
<b>0</b>	<b>565020</b>	<b>Water fitting compl.</b>
1	561200	GEKA coupling 1/2" internal thread
1.1	561273	Seal for GEKA coupling, packing unit 10 pieces
2	561202/002	Pressure reducer 1/2"
2.1	561205	Double sieve for the pressure reducer 1/2"
2.2	561207	Sieve chamber for the pressure reducer 1/2"
2.3	561203	Membrane for the pressure reducer 1/2"
2.4	561207/001	O-Ring for the sieve chamber 1/2" and 3/4"
2.5	561213	Spanner for the sieve chamber
3	561563	Conical sieve insert
4	571020	Manometer 0-10bar
4.1	600488	Rubber protective cap for the manometer
5	574010	Solenoid valve 1/2", 42V (at 400 V)
5.1	561209/001	Membrane for 1/2" solenoid valve
5.2	561212	Coil for the solenoid valve 42V
5.3	561215	Cover for the solenoid valve 1/2"
5.4	561988	Wear part set (for MK 8000)
5.5	601057	Catch box 4-pole
6	600106	Double nipple 1/2"x80 long
7	561218	Fine regulating valve 1/2"
8	561216	Discharge valve 1/4" outside thread
10	545214	Brass hose clip 3/4"x3/4" external thread
11	530049	Water hose 3/4", 40m Roll
12	552808	GEKA coupling 3/4" with nozzle
13	545062	Hose bracket 20 - 32





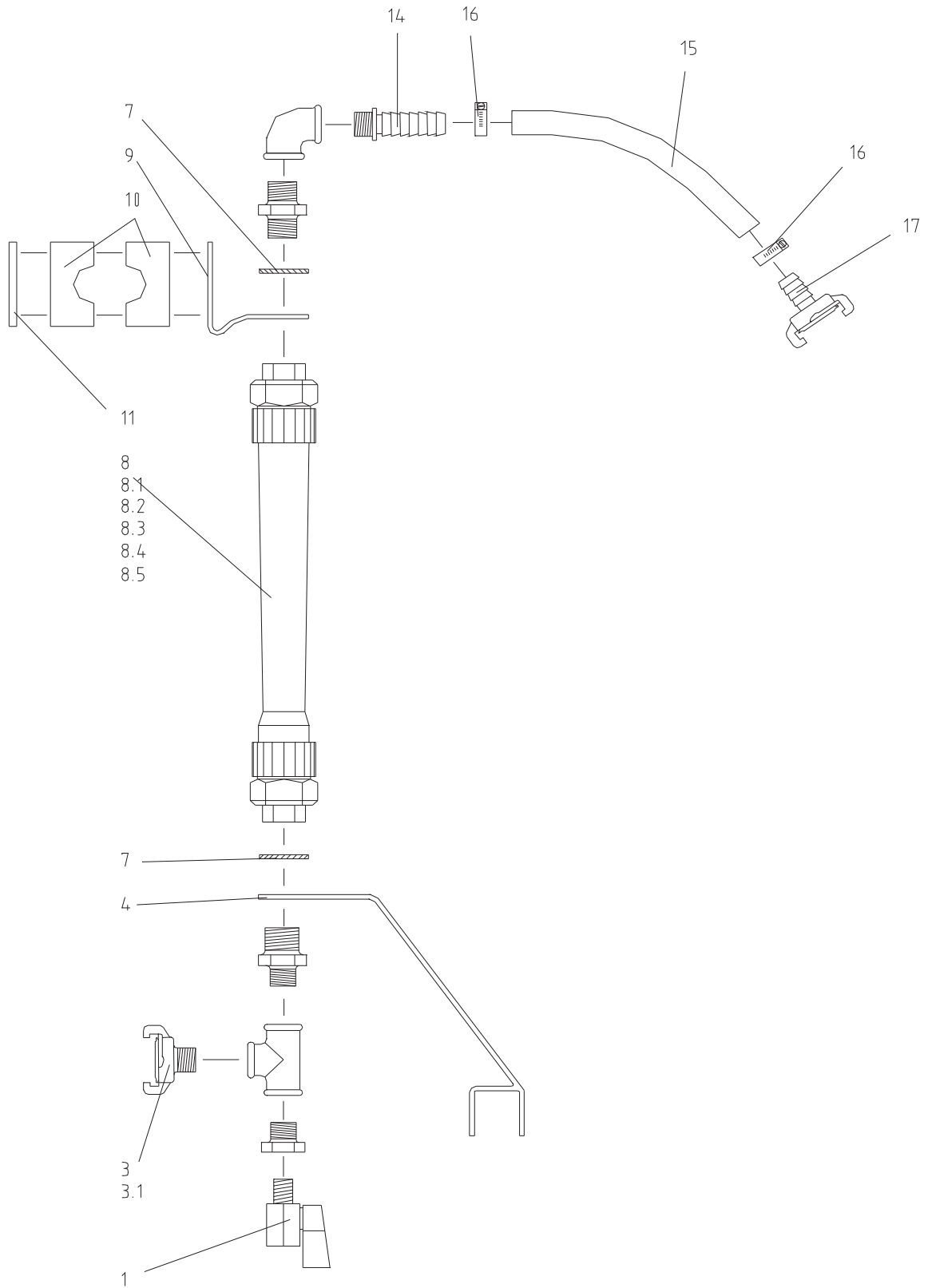
## Spare Parts

### Water Pump T61E compl. 400V

Item	Ordering No.	Description
<b>0</b>	<b>566020/001</b>	<b>Water pump T61E compl. including mounting parts</b>
1	545145	Water pump T61E 400V 50Hz 3ph
4	551023	GEKA coupling 1" external thread
4.1	561273	Seal for GEKA coupling, packing unit 10 pieces
6	545214	Brass hose clip 3/4"x3/4" external thread
7	530049	Water hose 3/4", 40m Roll
9	545109	Beveled hose clip 3/4" with 1" sleeve nut
10	545062	Hose bracket 20 - 32

### Water Pump PQ 61 compl. 400V

<b>0</b>		<b>Water pump PQ 60, 400V, compl., incl. fastening</b>
1	574122	Water pump PQ60 400V 50Hz (n.l.a.)
4	551023	GEKA coupling 1" external thread
4.1	561273	Seal for GEKA coupling, packing unit 10 pieces
6	545214	Brass hose clip 3/4"x3/4" external thread
7	530049	Water hose 3/4", 40m Roll
9	545109	Beveled hose clip 3/4" with 1" sleeve nut
10	545062	Hose bracket 20 - 32





# Spare Parts Accessories

## Flow Meter

Item	Ordering No.	Description
<b>0</b>	<b>565025</b>	<b>Water flow meter 160-1600 l/h compl.</b>
1	561216	Discharge valve 1/4" outside thread
3	561263	GEKA coupling 1/2" external thread
3.1	561273	Seal for GEKA coupling, packing unit 10 pieces
4	565024	Support long
7	570003	Serrated lock washer A28
8	561268	Flow meter 160-1600 l compl.
8.1	561238	Measurement tube 160-1600 l/h
8.2	561221	O-Ring 28 x 3.5
8.3	561219	Sealing O-Ring 30 x 3.5
8.4	561265	PVC screw connection
8.5	561266	Measuring cone for the flow meter
	561267	Insert parts for the flow meter 3/4"
	561264	Sleeve nut flow meter 3/4", No.374 galvanized
	561191	Screw connection for flow meter
9	565023	Support short
10	580013	Tube bracket 1"
11	580009	Cover plate DP-A5
14	545214	Brass hose clip 3/4"x3/4" external thread
15	530049	Water hose 3/4", 40m Roll
16	545062	Hose bracket 20 - 32
17	552808	GEKA coupling 3/4" with nozzle