



Contents

Complete Equipment with Scope of Supplies

2 - 3

Accessories

4 - 6

Spare Parts

duo-mix

8 - 11

Control panel duo-mix

12 - 17

duo-mix2000-SI 400V

18 - 21

duo-mix2000-SI-FE 50 400V

22 - 25

Control panel duo-mix2000-SI

26 - 29

Water fitting duo-mix/duo-mix2000-SI

30 - 31

Water pump with attachment parts

32 - 33

Air fitting duo-mix/duo-mix2000-SI

34 - 35

Dry material sensor

36 - 37

Mixing Pipe with Funnel

36 - 37

duo-mix-SI, Series 416 Spare Parts

duo-mix-SI 400V

38 - 41

Control panel duo-mix-SI 400V with water pump

42 - 45

Water fitting

46 - 47

Waterpump with attachment parts

48 - 49

Air fitting

50 - 51

For further accessories as well as the spare parts of the accessories please refer to catalogue "Accessories"



Complete Equipment with Scope of Supplies

Ordering No. Description

608150 duo-mix 400V 50Hz 3ph
Performance: approx. 22 l/min.
(with Stator/Rotor m-tec star)

Scope of supplies:

Mixing pump incl. water pump, compressor with deactivation and wet-soaking principle in the mixing zone

600145	Compressor 400V compl. with GEKA
620341	Stator m-tec Star, maintenance free, blue
620340	Rotor m-tec star
608569	Transfer chamber duo-mix (from Series No.:47000010079)
606016	Pump end piece incl. coupling M35 and connecting rod
606286	Reduction fitting, M35/M25, turned part
605105	Reduction piece F35/GEKA coupling
605066	Mortar hose, DN25, M25/F25, 10m long
602322	Air hose 1/2", 11m compl. with GEKA
605145	Spraying device, F25, straight, 200mm long
600285	Sponge rubber ball ø 35, packing unit 10 pieces
600537	Pole trowel for mortar nozzle
608509	Blanking plug for the metering part
561213	Spanner for the sieve chamber
	various tools

608590 duo-mix2000-SI 400V 50Hz 3ph

Scope of supplies:

Mixing pump incl. water pump, compressor with switch-off control, wet-soaking principle in the mixing zone, as well as with flow chart control and frequency converter 7.5kW, integrated in the control panel, Safety-system.

600145	Compressor, 250 l/min, 400V 50Hz 3ph
620341	Stator m-tec Star, maintenance-free, blue
620340	Rotor m-tec Star
606016	Pump end piece, complete, with coupling, F35
608569	Dosing piece
607014	Hose pressure manometer DN35 M35/F35 compl.
606286	Reduction fitting, M35/M25, turned part
605105	Reduction piece F35/GEKA coupling
605066	Mortar hose, DN25, M25/F25, 10m long
602322	Air hose 1/2", 11m long
605085	Water hose 1/2", 2m long
605035	Spray gun
605145	Spraying device, F25, straight, 200mm long
550255	Turning tool, complete
600285	Sponge rubber ball, 35 dia., packing unit 10 pieces
600537	Shaft reamer for mortar nozzle
608509	Sealing plug for dosing component
561213	Filter cover spanner
605059	Wire brush
	Various tools



Ordering No. Description

608595 duo-mix2000-SI-FE 400V 50Hz 3ph

Scope of supplies:

Fixing pump incl. 50m remote control cable and water pump, compressor with switch-off control, wet-soaking principle in the mixing zone as well as with flow chart control and frequency converter, 7.5kW, integrated in the control panel, Safety-system.

606731	Stator Ü45/7, retensionable, yellow
606732	Rotor Ü45/7
607783	Pump end piece, compl., with coupling, M50
540040	Hose pressure manometer DN50 M50/F50 compl.
608569	Dosing piece
545339	Screed hose DN40, M40/F40, 13,3m long
540051	Mortar hose DN50, M50/F50, 13,3m long
545374	Reduction fitting F50/M40
605085	Water hose, 1/2", 2m long
550255	Turning tool, complete
600286	Sponge rubber ball, 45 dia., packing unit 10 pieces
540003	Sponge rubber ball, 60 dia., packing unit 10 pieces
608509	Sealing plug for dosing component
561213	Filter cover spanner
601284	Pressure Test device, compl. with coupling F50
605059	Wire brush
	Various tools



Ordering No. Description

Hose Pressure Gauge

601283 Pressure application device compl. with coupling F25
600146 Test manometer set for the compressor
607014 Hose pressure manometer DN35 M35/F35 compl.

Reduction Fittings

605115 Reduction piece M35/F25
606286 Reduction fitting, M35/M25, turned part
605105 Reduction piece F35/GEKA coupling

Air Hoses

602321 Air hose 1/2", 5m compl. with GEKA
602322 Air hose 1/2", 11m compl. with GEKA
602323 Air hose 1/2", 13.3m compl. with GEKA

Water Supply

601351/001 Auxiliary water pump 230V
602307 Water hose 3/4", 20m compl. with GEKA
601185 Suction hose 3/4", 4m compl.

Connecting Cables

606155 Connecting cable 5 x 4, 25m 400V (32A 5pole 6h)
606165 Connecting cable 5 x 4, 50m long (32A 5pole 6h)

Radio Remote Control / Remote Control Cables

600193 Radio remote control RC 2000 230V

545330 Remote control cable 50m on a cable drum
601183 Extension cable 4-pole, compl. 10m
601187 Remote control - Extension cable 4-pole compl. 25m

Mortar Hoses

605066 Mortar hose, DN25, M25/F25, 10m long
545049 Mortar hose * DN35 M35/F35, 13.3m compl.
600285 Sponge rubber ball ø 35mm, packing unit 10 pieces
600286 Sponge rubber ball ø 45mm, packing unit 10 pieces

Accessories

607078 Motor protection bracket for the mixing motor 3.0kW
incl. mounting set
606138 Plastic cover for the trough



Ordering No. Description

Stators / Rotors

620341	Stator m-tec Star, maintenance free, blue
620340	Rotor m-tec star
620310	Stator magic, maintenance free, helicon blue
620311	Rotor magic (n.l.a.)
602313	Stator D8 - 2, maintenance free, red
602311	Rotor D8 - 2
620334	Stator D4 - 1/2, re-adjustable, gray
620330	Rotor D4 - 1/2
620335	Stator D4 - 1/4, re-adjustable, black
620331	Rotor D4 - 1/4
651152	Stator D4- 64 pitch, re-adjustable, turquoise
620344	Rotor D4 - 64 pitch
606731	Stator Ü45/7, re-adjustable, yellow
606732	Rotor Ü45/7
550616	Stator R7 - 1.5, re-adjustable, brown
550617	Rotor R7-1.5
651170	Cadmium plated clamping bracket
545089	Lubricating spray for screwing-in the rotor

Pump End Piece/ Replacement Flange

606725	Pump end piece for Ü45/7 with connecting rod
608554	Replacement flange for Ü45/7
607725	Pump end piece for R7 -1.5, M35 incl. connecting rod
608555	Replacement flange for R7 - 1.5

Pump Mixing Coil

607042	Pump mixing coil - Intensive II for for hard to mix plaster (Scope of supply duo-mix 2000)
607040	Pump mixing coil (scope of supply duo-mix plus)

Conveyor screws

607032	Conveyor screw 30 pitch
607037	Conveyor screw 40 pitch
607036	Conveyor screw 50 pitch (scope of supply)
607038	Conveyor screw 70 pitch
608115	Conveyor screw 30 pitch (closed lamellae)
605096	Conveyor screw 50 pitch (closed lamellae)
605097	Conveyor screw 70 pitch (closed lamellae)
605098	Conveyor screw 90 pitch (closed lamellae)

Mixing pipe long

605028	Mixing pipe long incl. mixing shaft bearing
608545	Mixing shaft long with coil
606628	Mixing pipe, long, incl. mixing shaft bearing, SI-Version

Mixing pipe long , duo-mix-SI Series 416

606628	Mixing pipe long incl. mixing shaft bearing, SI-Version
607023	Mixing shaft long



Ordering No. Description

For Insulating Plaster Processing

607264	Pump mixer for insulating plaster
605261	Attachment for the insulating plaster compl. (Volume approx. 70 litre)
602313	Stator D8 - 2, maintenance free, red
602311	Rotor D8 - 2

Self-levelling floor screed 50 l

608569	Transfer chamber duo-mix, 50 l
605098	Conveyor screw 90 pitch (closed lamellae)
607040	Pump mixing coil (scope of supply duo-mix plus)
608554	Replacement flange for Ü45/7
606731	Stator Ü45/7, re-adjustable, yellow
606732	Rotor Ü45/7
606725	Pump end piece for Ü45/7 with connecting rod
545330	Remote control cable 50m on a cable drum

Masonry Mortar Version (duo-mix / duo-mix plus)

605097	Conveyor screw 70 pitch (closed lamellae)
608554	Replacement flange for Ü45/7
606732	Rotor Ü45/7
606731	Stator Ü45/7, re-adjustable, yellow
607852	Mixer motor 4kW, 260rpm compl.
607825	Pump end piece, DN50, for MM, incl. tension bars
600012	Reduction piece cleaning F50/GEKA
540040	Hose pressure manometer DN50 M50/F50 compl.
545330	Remote control cable 50m on a cable drum
608569	Transfer chamber duo-mix, 50 l (Scope of supplies ab 01/2002) for duo-mix plus only

Delivery Hoods - Filter Hoods

606248	Delivery hood duo-mix without control system
606258	Delivery hood duo-mix with vibration control system
606250	Delivery hood duo-mix with sensor-vibration control system
605250	Filter hood duo-mix incl. rotating sensor compl. (4 Filters)
559765	Exhaust hood for bagged material compl., 230V with fan, fitting onto the material trough

Delivery Hoods - Filter Hoods SI-Version

606272	Delivery hood duo-mix without control, SI-Version
606270	Delivery hood duo-mix, with probe-vibrator control, SI-Version
605260	Filter hood SI-Version incl. rotating sensor, complete (4-Filters)

duo-mix 2000 Accessories

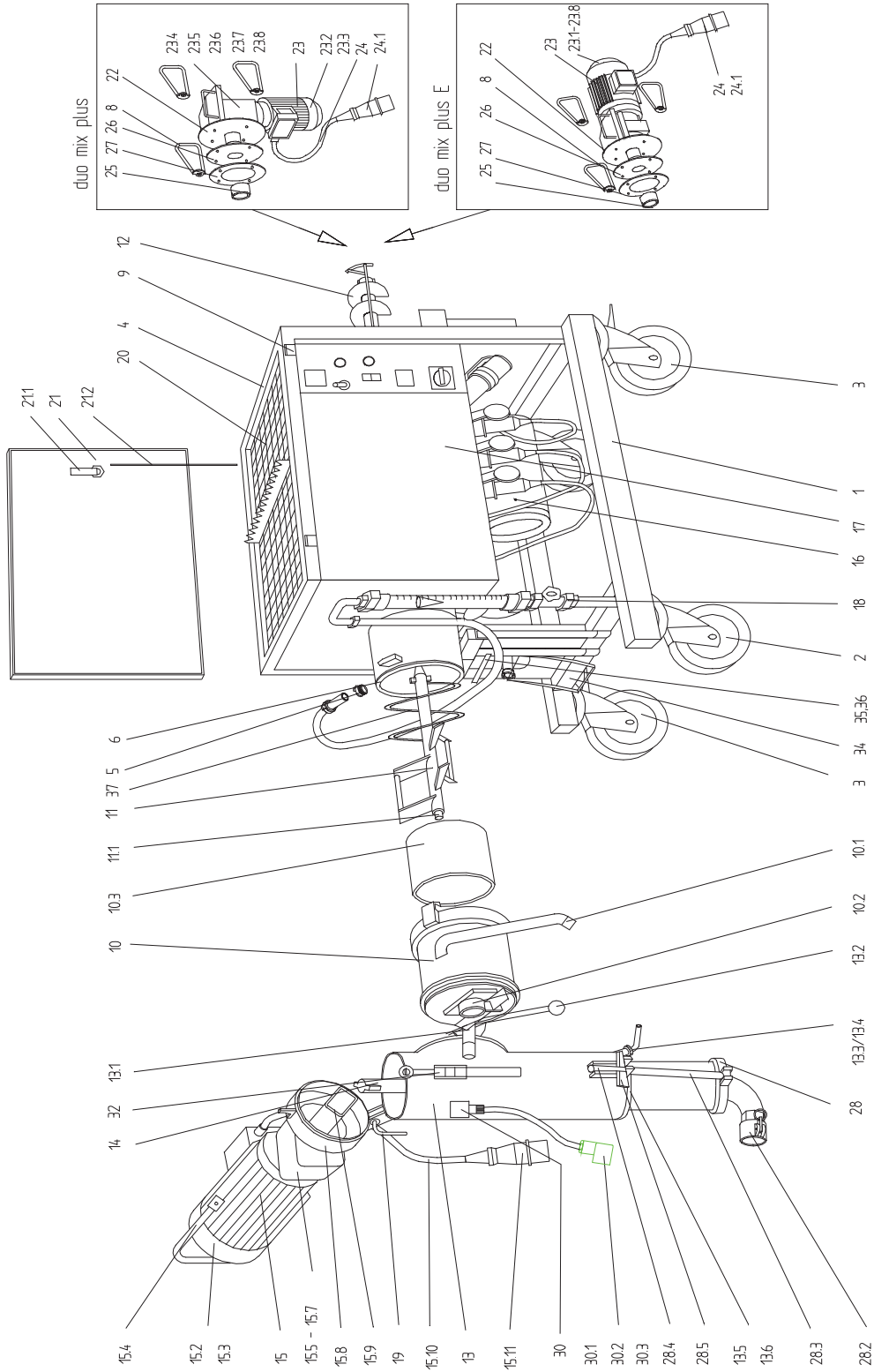
No-Load Run Protection Device for Material Trough

608496	Dry material sensor compl. incl. turn switch
608077	Dry material sensor incl. connecting cable, without turn
608495	Pre-fitted turn switch

Using Pasteous Materials

608075	mixing pipe with funnel incl. sealing lid
608090	mixing pipe with funnel incl. sealing lid, SI-Version



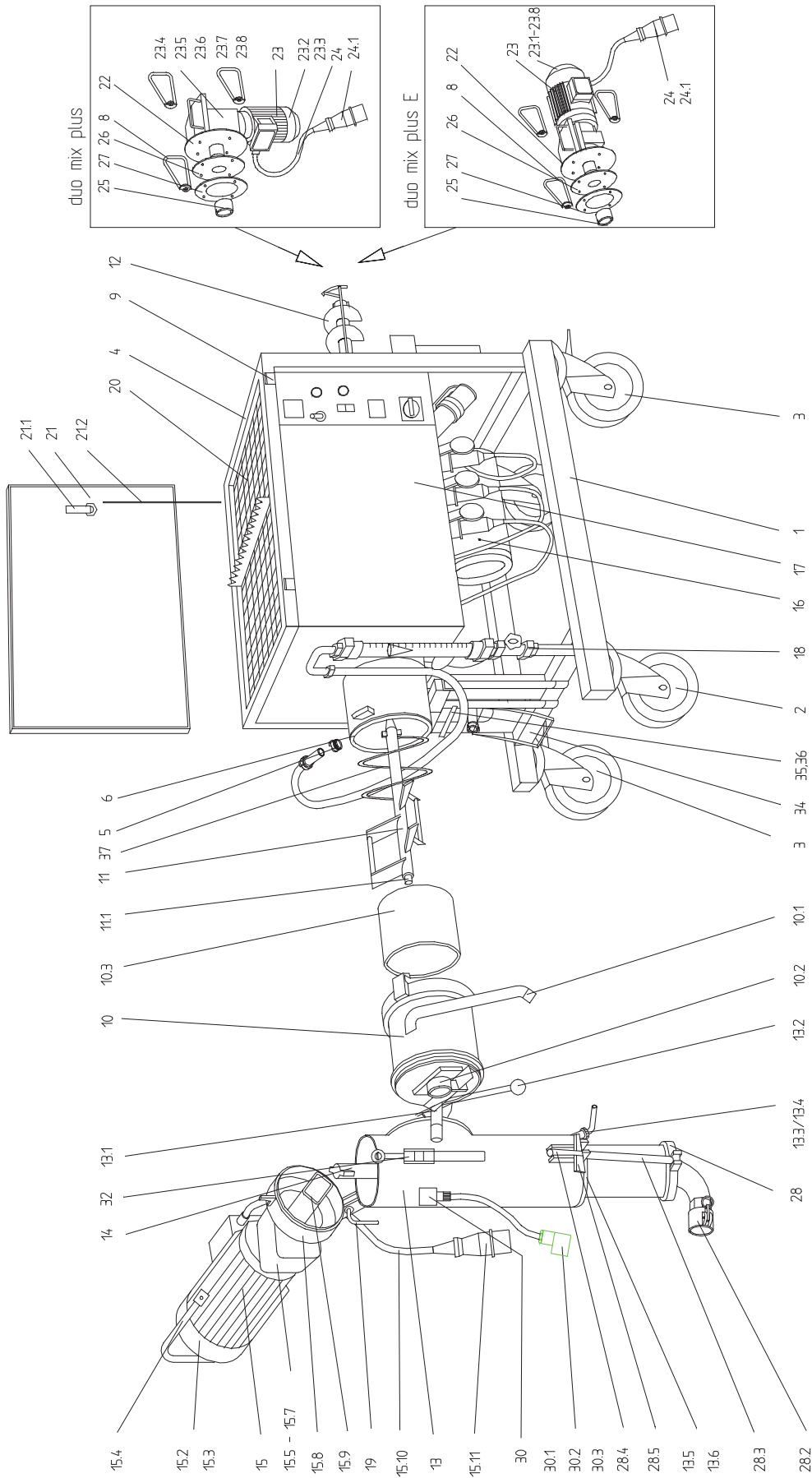




duo-mix Spare Parts

duo-mix 400V

Item	Ordering No.	Description
0	608150	duo-mix 400V 50Hz 3ph
0		duo-mix plus 400V (n.l.a.)
2	605124	Solid rubber wheel ø 200 x 65 without brake
3	605125	Solid rubber wheel ø 200 x 65 with brake
5	600216	GEKA coupling 1" internal thread
5.1	561273	Seal for GEKA coupling, packing unit 10 pieces
6	608569	Transfer chamber duo-mix
8	605218	Right locking lever
9	605325	Counter hook for the hood support galvanized
10	608572	Short mixing pipe compl. with rubber seals
10.1	600363	Rubber cap for the slider m3
10.2	545061/001	Mixing shaft bearing, PU
10.3	608549	Rubber seal set for the short mixing pipe
11	608505/001	Mixing shaft with coil
11.1	561113	Bearing sleeve for the mixing shaft
12	607036	Conveyor screw 50 pitch (scope of supply)
13	607019	Pump mixing pipe (without replacement flange)
13.1	605216	Locking lever for the pump mixing pipe
13.2	605016	Ball head for the handle
13.3	545669	Emptying socket with GEKA coupling
13.4	561273	Seal for GEKA coupling, packing unit 10 pieces
13.5	608530	Replacement flange for D4-Stators
13.6	551159	Spring cotter 4mm
14	607040	Pump mixing coil
15	605156	Pump motor 5.5kW, 400V, 400rpm from 07/1995 with attachment parts
15.1	607158	Planetary drive 5.5kW 400V 50Hz 3ph make contact 3
15.2	560133	Fan cover 4kW 260U
15.3	560008	Fan blade for the drive motor
15.4	606159	Motor bracket for the planetary drive
15.5	607988	Drive shaft D30 x 58 for Planetary drive S13443
15.6	545990	Shaft seal ring DIN3760, 40x52x7A FDRWX 7
15.7	607998	Rotary ball bearing DIN720 32007
15.8	605010	Pivoting motor duo-mix
15.9	601168	Die coupling m3 for the motor shaft ø 30
15.10	601028	Connecting cable compl. 16A 5pole 6h 1.63m
15.11	600158	CEE Plug 16A 5pole 6h
16	600145	Handy compressor 400V, 250l/min.
16.1	600141	GEKA coupling 1/4" external thread
		Spare Parts Air fitting see pages 34 - 35
17	607110/001	Control panel 400V MCU01, compl. (from serial-no. 470 00 08 0120)
17	607110	Control panel 400V compl. (n.l.a.)
		Spare Parts Control panel see pages 12 - 17
18	607050	Water fitting pre-assembled
		Spare Parts Water fitting see pages 30 - 31
19	605076	Socket pin with handle 80mm galvanized
19.1	600371	Spring cotter 3mm



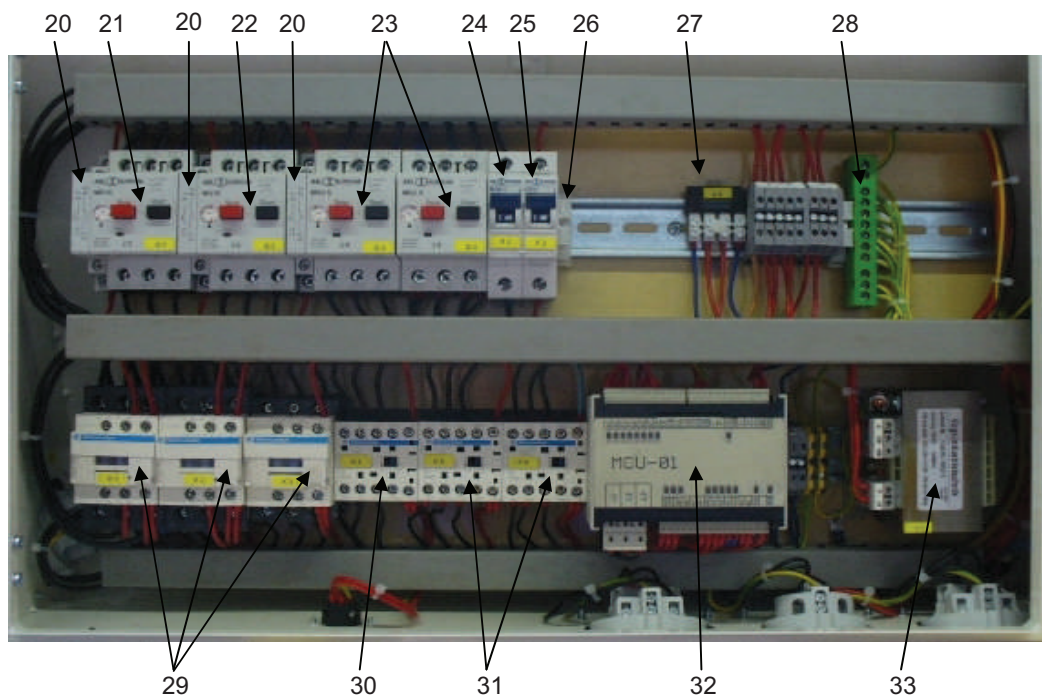
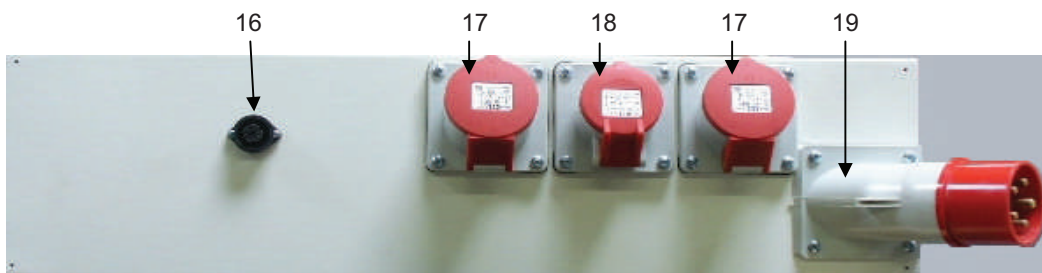
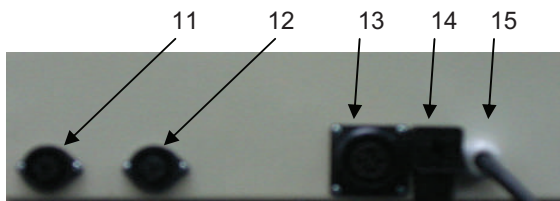
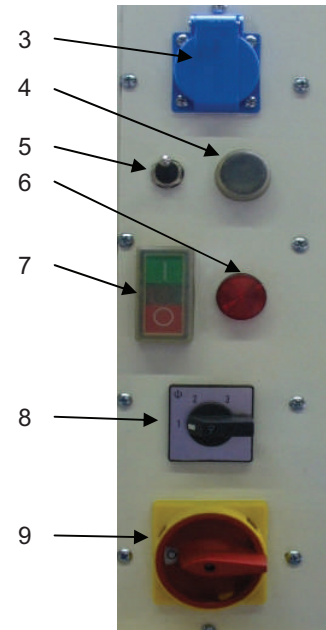
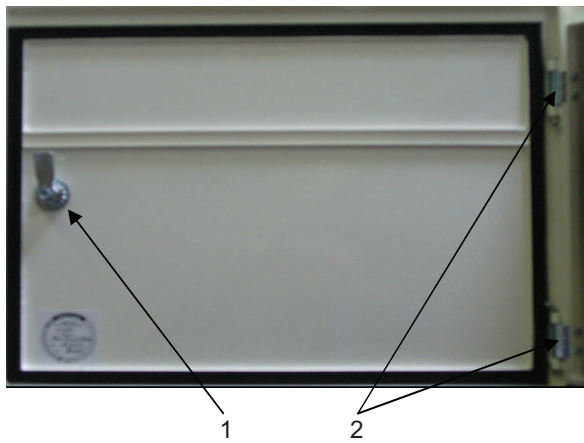


duo-mix Spare Parts

duo-mix 400V

Item	Ordering No.	Description
20	608042	Protective screen with sack opener
21.1	605012	Lock with handle
21.2	530080	Edge protection per meter
22	607012 *	Motor plate
22.1	540035	Call grease nipple B M6x1 (45 degrees)
23	607152 *	Mixing motor 3.0kW 230/400V 260rpm compl.
23.1	607052	Worm gear motor 3.0kW 260 U
23.2	605162	Fan hood - sheet steel
23.3	561919	Fan blade
23.4	607995	Drive shaft \varnothing 30 x 60
23.5	607994	Worm and worm gear
23.6	607993	Gear wheel set Stage 1, z=20/41
23.7	546993	Rotary ball bearing DIN720 32006
23.8	545991	Shaft seal ring DIN3760, 30x40x7A NB
22	608153 **	Motor plate
22.1	561033	Grease nipple B M8x1
23	608154 **	Mixer motor 3.0kW, 230/400V, 260rpm compl.
23.1	603112	Spur gear motor 3.0kW 230/400V 260rpm
23.2	605162	Fan hood - sheet steel
23.3	561919	Fan blade
23.4	603120	Drive shaft \varnothing 30 x 58
23.5	603117	Gear wheel set Stage 1, z=15/33
23.6	603118	Gear wheel set Stage 1, z=12/60
23.7	560974	Grooved ball bearing DIN625 6205 2 Z
23.8	560964	Shaft seal 30 x 52 x 7
24	605069	Connecting cable 16A 5pole 6h compl.
24.1	600158	CEE Plug 16A 5pole 6h
25	605054 *	Motor coupling \varnothing 25mm
25	608152 **	Motor coupling \varnothing 30mm
26	560005	Rubber seal D160 / D40 x 8
27	560006	Pressure flange for the rubber seal
28	606016	Pump end piece incl. coupling M35 and connecting rod
28.1	606018	Pump end piece outlet 1 1/2"
28.2	607005	Mortar automatic hose coupling M35/1 1/2" internal thread
28.3	605031	Cadmium plated connecting rod
28.4	605032	Clamping nut M16, galvanized
28.5	546654	Tensioning wedge, galvanized
30	605248	m-tec sensor without electric part compl.
30.1	605092	Sensor plug 5-pole
32	600044	Eccentric lock with eye screws
32.1	545081	Clamping screw
32.2	545087	Bow nut for eccentric fastening
32.3	545082	Clamping sleeve
34	608559	PVC - cover
35	608566	Strip for the PVC cover
36	608567	Terminal strip for the PVC cover
not shown	608587	Plain bearing sleeve with collar (on the metering tube)
38	620341	Stator m-tec Star, maintenance free, blue
39	620340	Rotor m-tec star

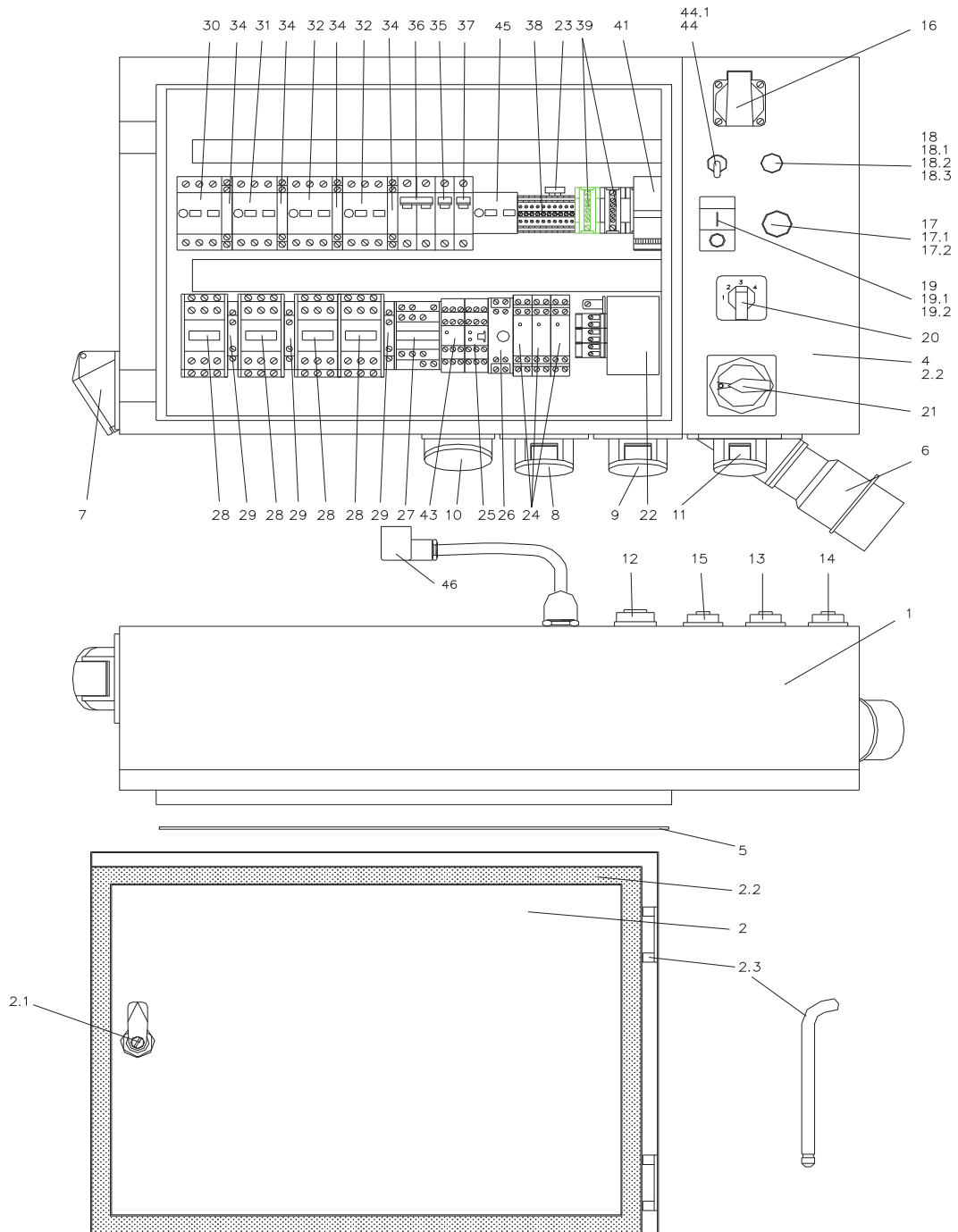
* = Scope of supplies duo-mix plus ** = Scope of supplies duo-mix





Control panel duo-mix with MCU01 400V compl., with water pump

Item	Ordering No.	Description
0	607110/001	Control panel duo-mix with MCU01 400V
1	605012	Lock with handle
1.1	570069	Serrated lock washer
2	572090	Door hinge
3	570026	Shock-proof socket 16A 2pin
4	574045	Pushbutton compl. 1 make contact black
4.1	574046	Pushbutton with mounting
4.2	574047	Protective cap, transparent for the pushbutton
4.3	574043	Switching element 1 make contact
5	572042	Tumbler switch
5.1	572107	Rubber protective cap
6	549840	signal lamp red cpl. 24V
6.1	549841	Pre-set red with mounting
6.2	574038	Lamp socket
6.3	700532	Light bulb 24V 2W
7	574033	Dual pushbutton compl. with signal lamp 24V
7.1	574034	Dual pushbutton
7.2	574035	Rubber membrane
7.3	574043	Switching element 1 make contact
7.4	574037	Switching element 1 break contact
7.5	574038	Lamp socket
7.6	700532	Light bulb 24V 2W
8	545165	4 stage switch "Frequency / Speed"
9	602117/001	Main switch
10	546606	CEE-socket 16A 5pin 6h
11	601072	Flange socket 3pin
12	601071	Flange socket 2pin
13	605221	Flange socket 5pin
14	601057	Catch box 4pin
15	561515	Skin top screw connection
15.1	545158	PVC counter nut PG11
16	573011	Flange socket 4pin
17	546606	CEE-socket 16A 5pin 6h
18	570020	CEE-socket 16A 4pin 6h
19	600239	CEE-plug 32A 5pin 6h
20	546688	Auxiliary contact 1 x break contact, 1 x make contact
21	601321	Motor protection switch 10-16A
22	601635	Motor protection switch 6,3-10A
23	601322	Motor protection switch 1-2.5A
24	570011	Circuit breaker B 16A 1pin
25	580535	Circuit breaker C 2A 1 pin
26	580503	End support
27	545182	Bridge rectifier
28	548249	Protective conductor terminal 12-pin
29	545729	Contactator 11kW 24V~ 50/60Hz 3 Main contacts 1 make contact /1 break contact
30	545728	Contactator 5,5kW 24V~ 3H1S
31	607112	Contactator 2,2kW 24V~ 3H1S
32	610096/002	Control unit MCU01 with Progr. duo-mix
33	606215	Trafo prim 230/400V sec 24V





Control panel 400V compl., with Water pump (n.l.a.)

Item	Ordering No.	Description
0	607110	Control panel 400V compl., with water pump (n.l.a.)
1	605211/001	Control panel housing duo-mix, bare
2	605213	Housing door
2.1	605012	Lock with handle
2.2	530060	Foam rubber seal 15 x 5 (per meter)
2.3	572090	Door hinge
6	600239	CEE-plug 32A 5pole 6h
7	546606	CEE-socket 16A 5pole 6h (pump)
8	570020	CEE-socket 16A 4pole 6h
9	546606	CEE-socket 16A 5pole 6h
10	601744	CEE-socket 16A 5pole 6h
11	554068	CEE-socket 16A 3pole 9h
12	605221	Flange socket 5pole
13	601071	Flange socket 2pole
14	601072	Flange socket 3pole
15	573011	Flange socket 4pole
16	570026	Shock-proof socket 16A 2pole
17	549843	Blue signal lamp compl. 24V
17.1	549844*	Pre-set blue with mounting
17.2	574038*	Lamp socket
17.3	700532*	Light bulb 24V 2W
*		Siemens discontinued the signal lamp program. If single parts are needed the complete lamp (ordering no. 549843) has to be ordered.
18	574045	Pushbutton compl. 1 make contact black
18.1	574046*	Pushbutton with mounting
18.2	574047*	Protective cap, transparent
18.3	574043*	Switching element 1 make contact
*		Siemens discontinued the push button programm. If single parts are needed the complete push button (ordering no. 574045) has to be ordered.
19	574033	Dual pushbutton compl. with signal lamp 24V
19.1	574034*	Dual pushbutton
19.2	574035*	Rubber membrane
19.3	574043*	Switching element 1 make contact
19.4	574037*	Switching element 1 break contact
19.5	574038*	Lamp socket
19.6	700532*	Light bulb 24V 2W
*		Siemens discontinued the push button programm. If single parts are needed the complete push button (ordering no. 574033) has to be ordered.

Attention:

If changing from Siemens to new dual pushbutton the adaptor set ordering no. 574048 is needed



Control panel 400V compl., with water pump (n.l.a.)

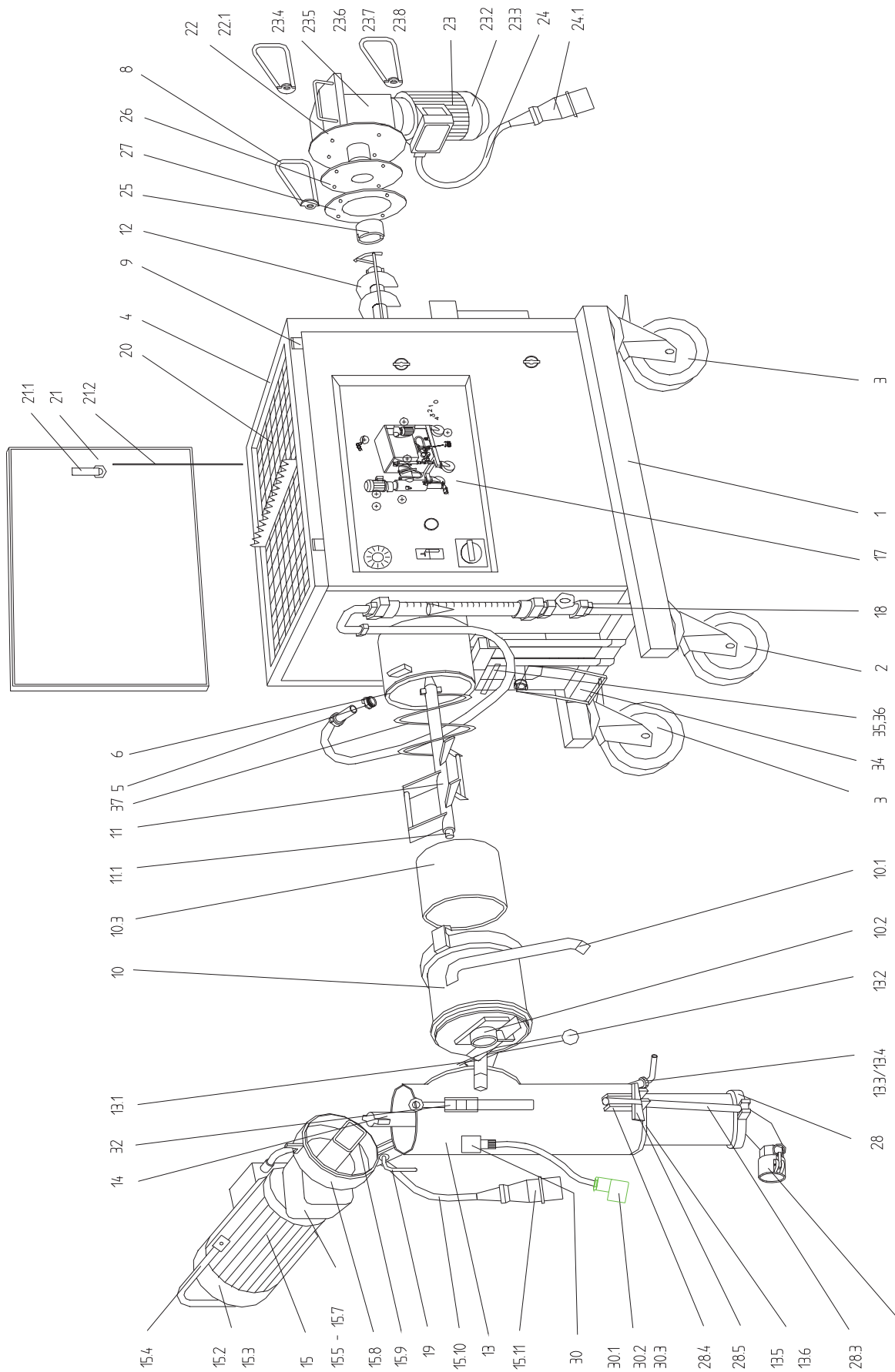
Item	Ordering No.	Description
20	545165	Multiple-contact switch
21	601837	Main switch
22	606215	Transformer 230/400V/24V 100VA
23	545182	Bridge rectifier
24	601324	Mains isolation relay 24-42V 6A, 2 Way contact, AC/DC from 10/2006
25	559510	Time delay relay 0,5-10min Function A
26	559540	Time delay relay 0,5-10min Function C
27	545516	Contactor 4kW 24V~ 50/60Hz 3 Main contacts 1 make contact /1 break contact
28	545729	Contactor 11kW 24V~ 50/60Hz 3 Main contacts 1 make contact /1 break contact
29		Attention: Auxiliary contact is not applicable when changing from Moeller to Telemecanique. If the Moeller auxiliary contact is defective then this contactor must be replaced using the contactor of Telemecanique. Auxiliary contactors are contained in this.
30	601321	Motor protection switch 10-16A
31	601635	Motor protection switch 6-10A
32	601322	Motor protection switch 1-2.5A
34	546688	Auxiliary contact 1 x break contact, 1 x make contact
35	580535	Circuit breaker C 2A 1-pole
36	601949	Circuit breaker C 10A 2-pole
37	570011	Circuit breaker B 16A
38	545172	Contact terminal 2.5qmm 10-pole
39	554101	Protective conductor terminal 7-pole
41	545203	Electric part for the sensor
43	545199	Phase sequence relay 380-500V, 50/60Hz
44	572042	Lever switch with metal toggle
44.1	572107	Protective cap for the folding pin
45	545516	Contactor 4kW 24V~ 50/60Hz 3 Main contacts 1 make contact /1 break contact
46	601057	Catch box 4-pole



duo-mix2000-SI Spare Parts

duo-mix2000-SI

Item	Ordering No.	Description
0	608590	duo-mix2000-SI
2	609207	Solid rubber wheel, ø 250 x 70, without brake
3	609208	Solid rubber wheel, ø 250 x 70, with brake
5	573023	GEKA coupling, 3/4", internal thread
5.1	561273	Seal for GEKA coupling, packing unit 10 pieces
6	608569	Dosing piece duo-mix
7.1	601029	Soft PVC cover, clear, (compressor)
7.2	601030	Strip for PVC cover
7.3	601009	Clamping strip for PVC cover
8	605218	Locking lever, right-hand
9	605325	Counter hook for cover support
10	608592	Mixing pipe, short, compl., with rubber insert, SI-Version
10.1	600363	Rubber cap
10.2	545061/001	Mixing shaft bearing, PU
10.3	608549	Rubber insert for mixing pipe, short
11	608505/001	Mixing shaft with helix, strengthens
11.1	561113	Bearing bush for mixing shaft
12	607036	Conveyor screw, 50 pitch
13	607019	Pump mixing pipe (without change flange)
13.1	605216	Locking lever, for pump mixing pipe
13.2	605016	Spherical handle
13.3	545669	Cleaning outlet with GEKA coupling
13.4	561273	Seal for GEKA coupling, packing unit 10 pieces
13.5	608529	Change flange for D4 stators
13.6	551159	Pivot pin retainer, 4mm
14	607040	Pump mixing screw - intensive-type
15	608598	Pump motor, 5.5kW, 400V, 400rpm, with add-on parts, SI-version
15.1	606158	Planetary gear drive, 5.5kW, 400rpm, S1
15.2	560133	Fan guard for motor
15.3	560008	Fan blade for motor
15.4	606159	Protection yoke for planetary gear drive motor
15.5	607988	Drive shaft, 30 dia. x 58, for planetary gear, S13443
15.6	545990	Shaft sealing ring, DIN3760, 40x52x7 NB
15.7	607998	Bearing, DIN720 32007
15.8	606610	Motor switch armature, SI-version
15.9	601168	Coupling for motor, 5.5kW
15.10	601028	Connecting cable, 4x1.5, 1.63m, complete
15.11	600158	CEE plug, 16A 5pole 6h
16	549015	Compressor V-Meko 400/D, 400V
16.1		GEKA coupling, 1/2", external thread
For compressor spare parts, refer to catalogue "Accessories"		
17	608594	Control panel incl. frequency converter and flow chart control
For control panel spare parts refer to pages 26 - 29		
18	608550	Water fitting, preassembled
For water fitting spare parts, refer to pages 30 - 31		



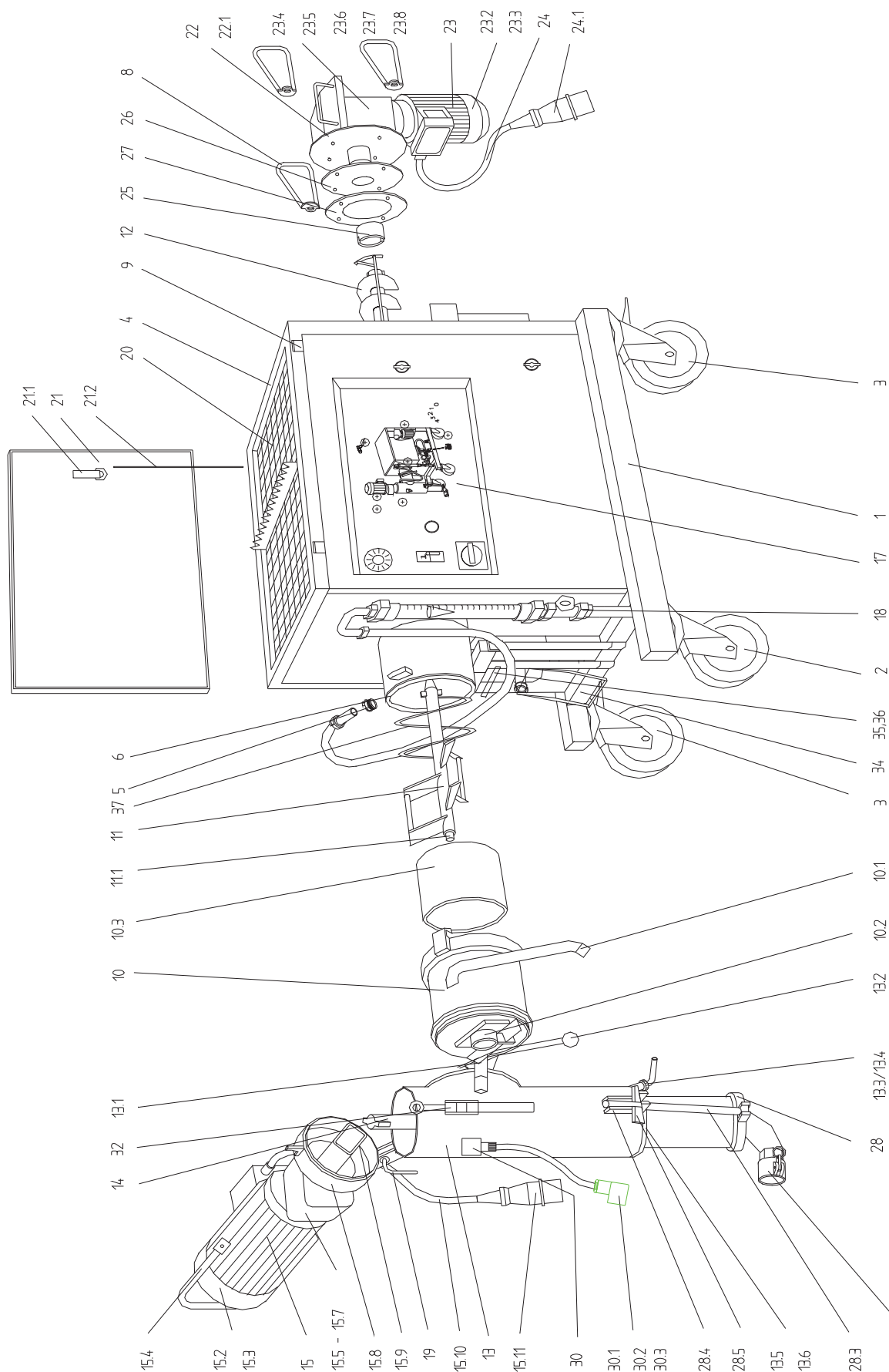


duo-mix2000-SI Spare Parts

Item	Ordering No.	Description
19	605076	Socket pin with grip, galvanised, 80mm
19.1	600371	Pivot pin retainer, 3mm, galvanised
20	606674	Protective grid with bag opener, SI-version
21.1	605012	Toggle-actuated lock
21.2	530080	Edge protector, per metre
22	607012	Motor plate
22.1	540035	Grease nipple B M6x1
23	608597	Mixer motor, 3.0kW, 230/400V, 260rpm, with add-on parts, SI-version
23.1	607052	Worm gear motor, 3.0kW, 260rpm
23.2	605162	Fan guard for motor, 3.0kW
23.3	561919	Fan blade for Motor, 3.0kW
23.4	607995	Drive shaft, 30 dia. x 60
23.5	607994	Screw and worm gear
23.6	607993	Gear set, stage 1, z=20/41
23.7	546993	Bearing, DIN720 32006
23.8	545991	Shaft sealing ring, DIN3760, 30x40x7A NB
24	605069	Connecting cable, 4x1.5, 1m, complete
24.1	600158	CEE plug, 16A 5pole 6h
25	605054	Motor coupling, 25mm dia.
26	560005	Rubber seal, 160 dia.
27	560006	Pressure flange
28	606016	Pump end piece incl. coupling M35, and tension bars
28.1	606018	Pump end piece, 35 outlet
28.2	607005	Rapid action mortar hose coupling, M35/1 1/2", internal thread
	605067	Rapid action mortar hose coupling, M35/1 1/4", internal thread
28.3	605031	Tension bar, cadmium-plated
28.4	605032	Tensioning nut, F 16, galvanised
28.5	546654	Clamping wedge, galvanised
30	605248	m-tec sensor without electric part compl.
30.1	605092	Sensor plug 5-pole
32	600044	Eccentric clamp 6043 S
32.1	545081	Clamping screw
32.2	545087	Basket nut
32.3	545082	Clamping sleeve

Safety System (not shown)

565658	Magnetic switch with cable and plug, 1,50m
601387	Magnetic limit switch with cable 3m
530093/001	Protection tube, metal, per meter
606655	End-piece for protection tube, brass
573012	Coupling plug 4-pole, angled
601388	Magnetic system
606618	Safety outlet, compl.

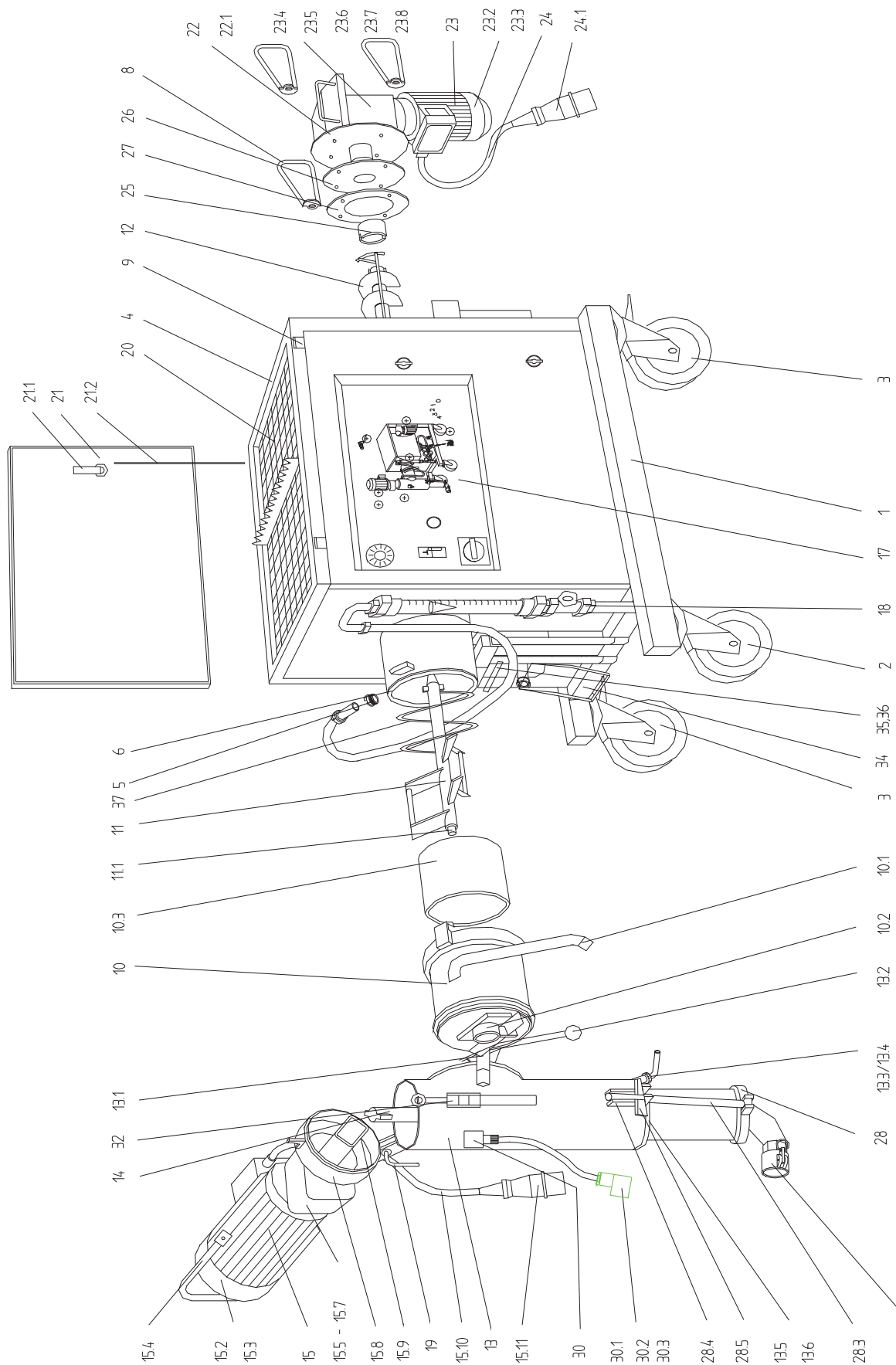




duo-mix2000-SI-FE Spare Parts

duo-mix2000-SI-FE 400V 50Hz 3ph

Item	Ordering No.	Description
0	608595	duo-mix2000-SI-FE 400V 50Hz 3ph
2	609207	Solid rubber wheel, ø 250 x 70, without brake
3	609208	Solid rubber wheel, ø 250 x 70, with brake
5	573023	GEKA coupling, 3/4", internal thread
5.1	561273	Seal for GEKA coupling, packing unit 10 pieces
6	608569	Dosing piece
7.1	601029	Soft PVC cover, clear, (compressor)
7.2	601030	Strip for PVC cover
7.3	601009	Clamping strip for PVC cover
8	605218	Locking lever, right-hand
9	605325	Counter hook for cover support
10	608592	Mixing pipe, short, compl., with rubber insert, SI-Version
10.1	600363	Rubber cap
10.2	545061/001	Mixing shaft bearing, PU
10.5	608549	Rubber insert for mixing pipe, short
11	608505/001	Mixing shaft with helix, strengthened
11.1	561113	Bearing bush for mixing shaft
12	605098	Conveyor screw, 90 pitch
13	607019	Pump mixing pipe (without change flange)
13.1	605216	Locking lever, for pump mixing pipe
13.2	605016	Spherical handle
13.3	545669	Cleaning outlet with GEKA coupling
13.4	561273	Seal for GEKA coupling, packing unit 10 pieces
13.5	608554	Change flange for Ü45/7
13.6	551159	Pivot pin retainer, 4mm
14	607042	Pump mixing screw - intensive-type
15	608598	Pump motor, 5.5kW, 400V, 400rpm, with add-on parts, SI-version
15.1	606158	Planetary gear drive, 5.5kW, 400rpm, S1
15.2	560133	Fan guard for motor
15.3	560008	Fan blade for motor
15.4	606159	Protection yoke for planetary gear drive motor
15.5	607988	Drive shaft, 30 dia. x 58, for planetary gear, S13443
15.6	545990	Shaft sealing ring, DIN3760, 40x52x7NB
15.7	607998	Bearing, DIN720 32007
15.8	606610	Motor switch armature, SI-Version
15.9	601168	Coupling for motor, 5.5kW
15.10	601028	Connecting cable, 4 x 1.5, 1.63m, complete
15.11	600158	CEE plug, 16A 5pole 6h
no pict.	545330	Remote Control cable 50m on cable drum
17	608594	Control panel incl. frequency converter and flow chart control
		For control panel spare parts refer to pages 26 - 29
18	608550	Water fitting, preassembled
		For water fitting spare parts, refer to pages 30 - 31





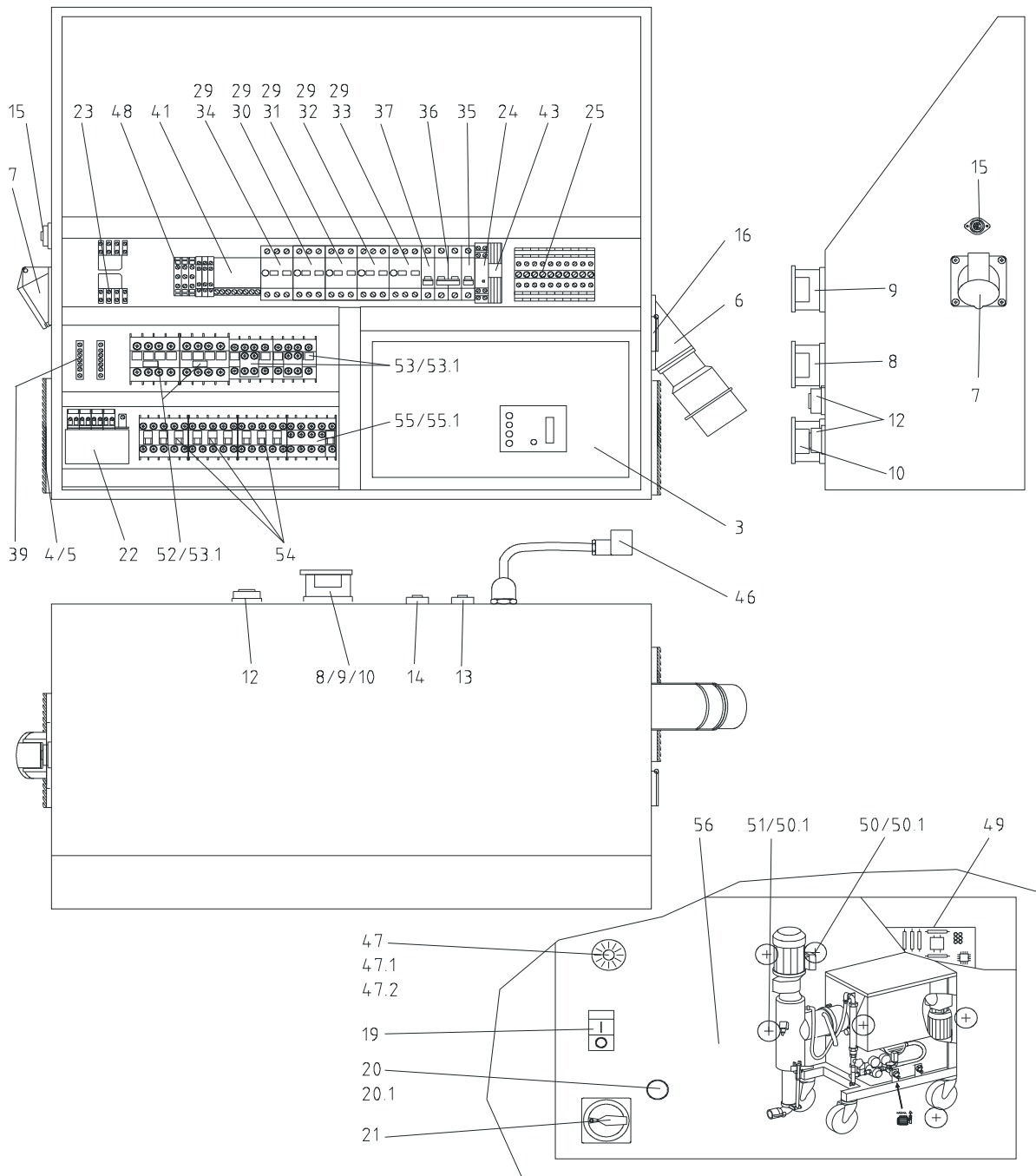
duo-mix2000-SI-FE Spare Parts

duo-mix2000-SI-FE, 400V

Item	Ordering No.	Description
19	605076	Socket pin with grip, galvanised, 80mm
19.1	600371	Pivot pin retainer, 3mm, galvanised
20	606674	Protective grid with bag opener, SI-version
21.1	605012	Toggle-actuated lock
21.2	530080	Edge protector, per metre
22	607012	Motor plate
22.1	540035	Grease nipple B M6x1
23	608597	Mixer motor, 3.0kW, 230/400V, 260rpm, with add-on parts, SI-version
23.1	607052	Worm gear motor, 3.0kW, 260rpm
23.2	605162	Fan guard for motor, 3.0kW
23.3	561919	Fan blade for Motor, 3.0kW
23.4	607995	Drive shaft, 30 dia. x 60
23.5	607994	Screw and worm gear
23.6	607993	Gear set, stage 1, z=20/41
23.7	546993	Bearing, DIN720 32006
23.8	545991	Shaft sealing ring, DIN3760, 30x40x7A NB
24	605069	Connecting cable, 4 x 1.5, 1m, complete
24.1	600158	CEE plug, 16A 5pole 6h
25	605054	Motor coupling, 25mm dia.
26	560005	Rubber seal, 160 dia.
27	560006	Pressure flange
28	607783	Pump end piece, compl., with coupling, M50
28.1	546754	Pump end piece, 50 outlet
28.2	600810	Rapid action mortar hose coupling, M50/2"
28.3	607786	Tension bar, cadmium-plated
28.4	605032	Tensioning nut, M16, galvanised
28.5	546654	Clamping wedge, galvanised
30	605248	m-tec sensor without electric part compl.
30.1	605092	Sensor plug 5-pole
32	600044	Eccentric shutter 6043 S
32.1	545081	Clamping screw
32.2	545087	Basket nut
32.3	545082	Clamping sleeve

Safety System (not shown)

565658	Magnetic switch with cable and plug, 1,50m
601387	Magnetic limit switch with cable 3m
530093/001	Protection tube, metal, per meter
606655	End-piece for protection tube, brass
573012	Coupling plug 4-pole, angled
601388	Magnetic system
606618	Safety outlet, compl.

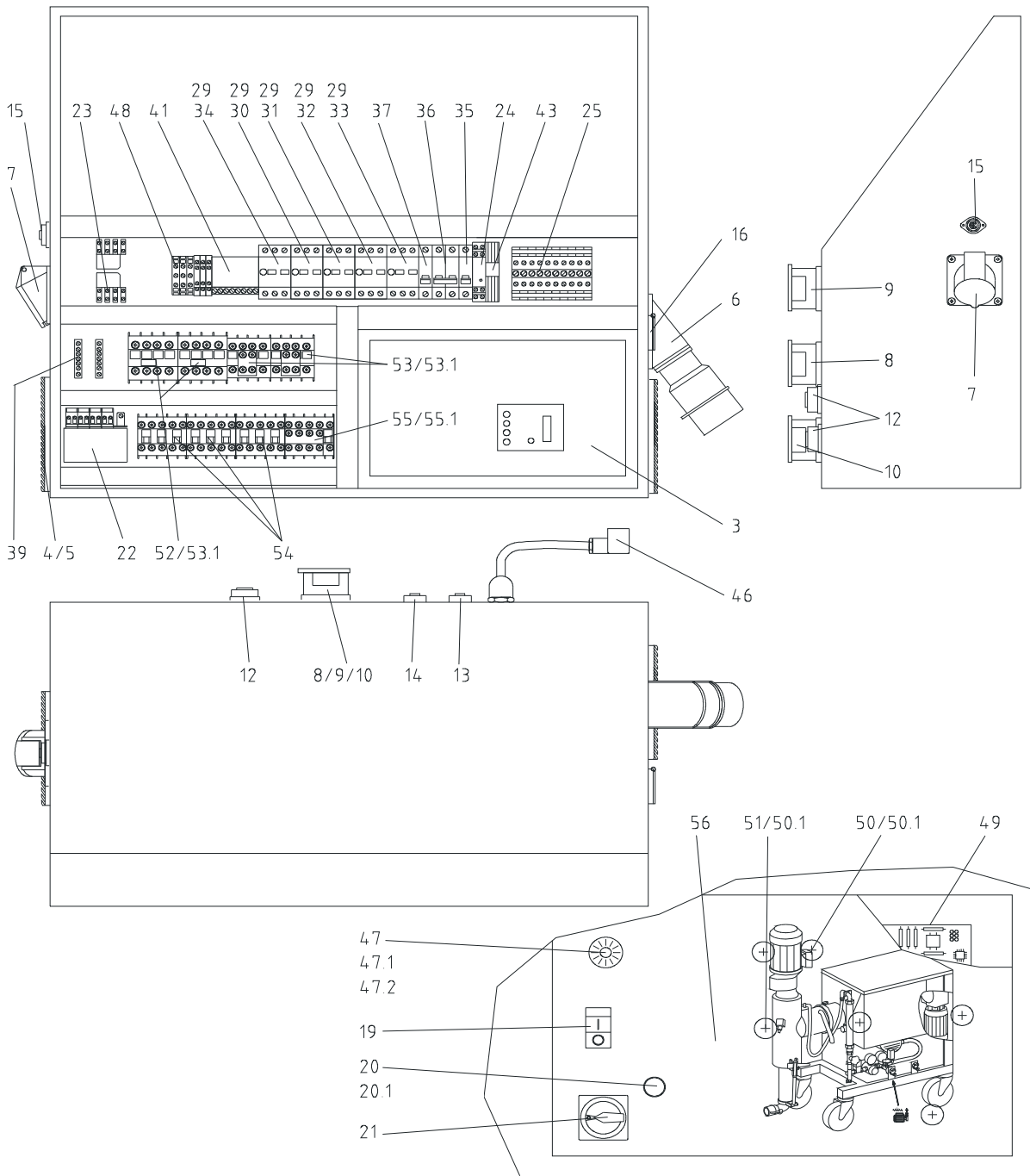




duo-mix2000-SI Spare Parts

Control panel duo-mix2000-SI

Item	Ordering No.	Description
0	608594	Control Panel duo-mix2000-SI, incl. Frequency Converter
2	608512	Door for housing
2.1	605012	Lock with toggle, complete
2.2	546427	Edge protection, black
2.3	572090	Door hinge
3	548162/002	Frequency converter 7,5kW, code 35.50
3.1	608641	Assembly plate for the frequency converter
4	608063	Filter (from 01/04)
	608054	Filter (until 12/03)
5	608062	Filter fan sealing frame (from 01/04)
	608053	Filter fan sealing frame (until 12/03)
6	600239	CEE plug 32A 5pole 6h
7	546606	CEE socket 16A 5pole 6h
8	559017	CEE socket 16A 4pole 6h
9	608533	CEE socket 16A 5pole 6h
10	608533	CEE socket 16A 5pole 6h
12	605221	Flange socket 5-pole
13	601071	Flange socket 2-pole
14	601072	Flange socket 3-pole
15	573011	Flange socket 4-pole
16	570026	Shock-proof built-in socket, 230V
19	574033	Dual push-button compl. with indicator lamp 24V *
19.1	574034	Dual push-button
19.2	574035	Touch membrane
19.3	574043	Control element 1 break contact
19.4	574037	Control element 1 make contact
19.5	574038	Lamp socket
19.6	700532	Bulb, 2W, 24V
*		Dual push-button spare parts from Telemecanique must be substituted only by a compl. dual push-button 574033
20	608573	7-segment display compl. (display and decoder)
20.1	608532	7-segment display decoder
20.2	608531	7-segment display
21	601837	Main switch
22	606215	Transformer, prim. 230/400V; sec. 24V,100 VA
23	545182	Bridge rectifier
24	601324	Mains isolation relay 24-42V 6A 2 Way contact, AC/DC
25	608537/005	PLC MS300, version 10.3, from 06/2000
		Important: When ordering PLC, indicate version number.
25.1	608494	Frequency converter/mains change-over switch
29	608558	Auxiliary contact
30	608521	Motor protection switch 9-14A
31	608520	Motor protection switch 6-10A
32	608517	Motor protection switch 1.6-2.5A
33	608518	Motor protection switch 2.5-4.0A
34	608527	Motor protection switch 14A





duo-mix2000-SI Spare Parts

Control panel duo-mix2000-SI

Item	Ordering No.	Description
35	580535	Automatic circuit breaker C 2A 1-pole
36	601949	Automatic circuit breaker C 10A 2-pole
37	570011	Automatic circuit breaker B 16A 1-pole
39	554101	Earthed conductor terminal, 7-pole
41	545203	Electronic part for probe
43	545199	Phase sequence relay, 380 - 500V
46	601057	Line connection box, 4-pole
47	565593	Film potentiometer, 10 k
47.1	573024	Turning knob for potentiometer, complete
47.2	608544	Potentiometer holder
48	554128	Earthed conductor terminal, 2-pole
49	608536	Printed circuit board for flow chart control
50	546407	Pushbutton cover transparent
	545539	Pushbutton V enclosure
50.1	546408	Silicone rubber cap
51	546407	Pushbutton cover transparent
	545542	Message V enclosure
51.1	546408	Silicone rubber cap
52	545729	Contactora 11kW 24V~ 50/60Hz 3H 1S/1Ö
53	545533	Contactora 7,5kW 24V~ 50/60Hz 3H 1S/1Ö
53.1	608540	Auxiliary switching block
54	608541	Contactora 5,5kW 24V~ 50/60Hz 3H 1S
	545516	Contactora 4kW 24V~ 50/60Hz 3H 1S/1Ö
55	608542	Auxiliary contactora 24V~ 50/60Hz 2S/2Ö
55.1	608543	Auxiliary contact 2S/2Ö
56	391611	duo-mix flow chart foil
57	606216	Safety switch monitoring device (not shown)
58	608499	switch water pump on / off (not shown)

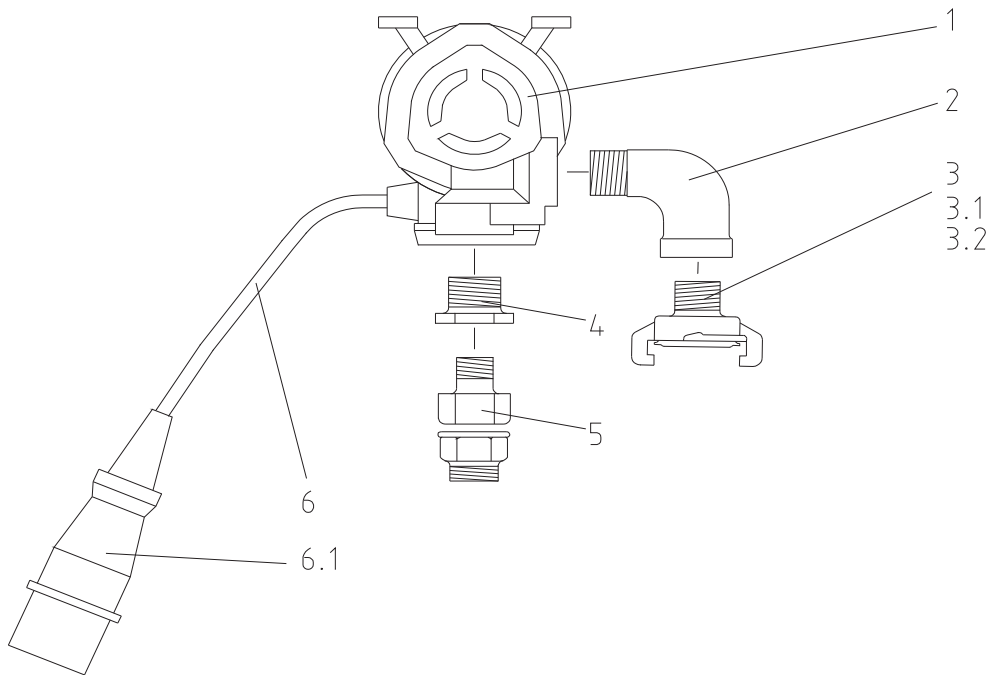


duo-mix / duo-mix2000-SI Spare Parts

duo-mix / duo-mix2000-SI Water fitting compl.

Item	Ordering No.	Description
0	608550	Water fitting pre-assembled
1	608506	Water hose 1/2"x1.1m compl.
1.1	561232	GEKA coupling 1/2" with nozzle
1.2	561228	Hose mountings 16-25 1/2"
1.3	530054	Water hose 1/2"
1.4	561224	Hose clip 1/2" internal thread with 1/2" sleeve nut
1.5	608507	Brass hose clip with nozzle
8	561268	Flow meter 160-1600 l compl.
8.1	561267	Insert parts for the flow meter 3/4"
8.2	561221	O-Ring 28 x 3.5
8.3	561264	Sleeve nut flow meter 3/4", No.374 galvanized
8.4	561265	PVC screw connection
8.5	561238	Measurement tube 160-1600 l/h
8.6	561266	Measuring cone for the flow meter
8.7	561219	Sealing O-Ring 30 x 3.5
10	546693	Fine regulating valve 3/4" internal thread
14	601403	Screw connection 1/2" internal thread / external thread
15	561216	Discharge valve 1/4" outside thread
17	601040	Solenoid valve 1/2" 24V DC SO
17.1	608556 ***	Connecting cable for the solenoid valve with 3-pole plug
17.1	605038 *	Connecting cable for the solenoid valve compl.
17.1.1	601042	Coupling plug 3-pole straight
17.1.2	601057	Catch box 4-pole
17.2	561209/001	Membrane for 1/2" solenoid valve
17.3	601115	Coil for the solenoid valve 24V DC
17.4	561215	Cover for the solenoid valve 1/2"
17.5	561988	Wear part set (for MK 8000)
18	607046	Pressure reducer 1/2" Low pressure version
18.1	607047	Membrane for the pressure reducer 1/2"
18.2	561205	Double sieve for the pressure reducer 1/2"
18.3	561207	Sieve chamber for the pressure reducer 1/2"
19	551031	Manometer 0-4bar
19.1	600488	Rubber protective cap for the manometer
21	608553	Manometer 0-16bar
23	545227	Brass Red. nipple 1/2" external thread 1/4" external thread
24	601037	Pressure monitor 0.5-8bar 1/4" without pre-settings
	607054	Pressure monitor pre-set to 2.2bar
24.1	608557	Connecting cable for the pressure monitor - Water 2-pole
	601039	Coupling plug 2-pole straight
	601057	Catch box 4-pole
25	600057	Straight-through valve 1/2"
26	561263	GEKA coupling 1/2" external thread
26.1	561273	Seal for GEKA coupling, packing unit 10 pieces
28	608551	Water hose 1/2"x0.23m compl.
28.1	601729	Hose clip 1/2"
28.2	561228	Hose mountings 16-25 1/2"
28.3	530054	Water hose 1/2"
28.4	561224	Hose clip 1/2" internal thread with 1/2" sleeve nut

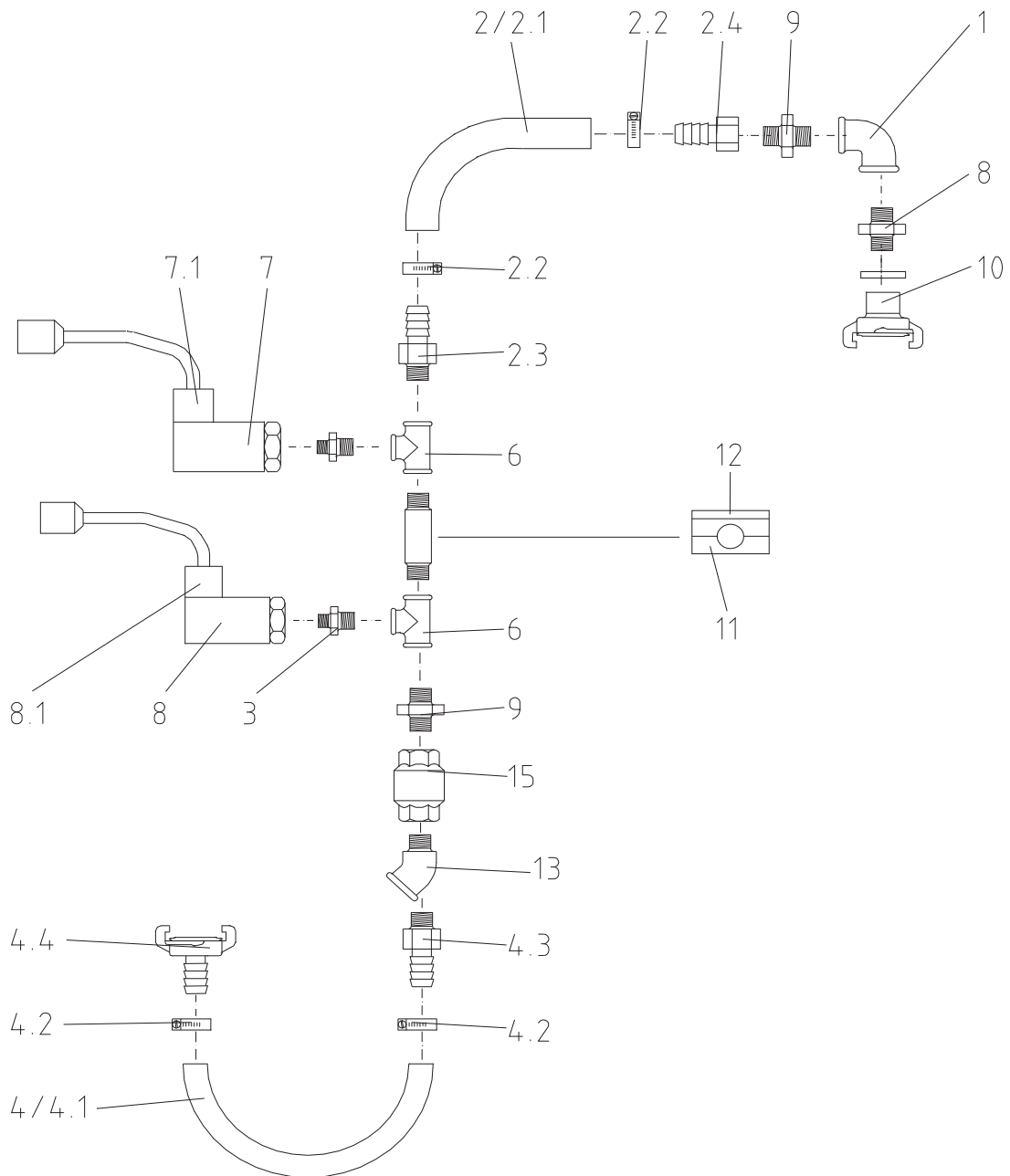
* = Scope of supplies duo-mix plus *** = Scope of supplies duo-mix2000





Water pump 400V, incl. attachment parts

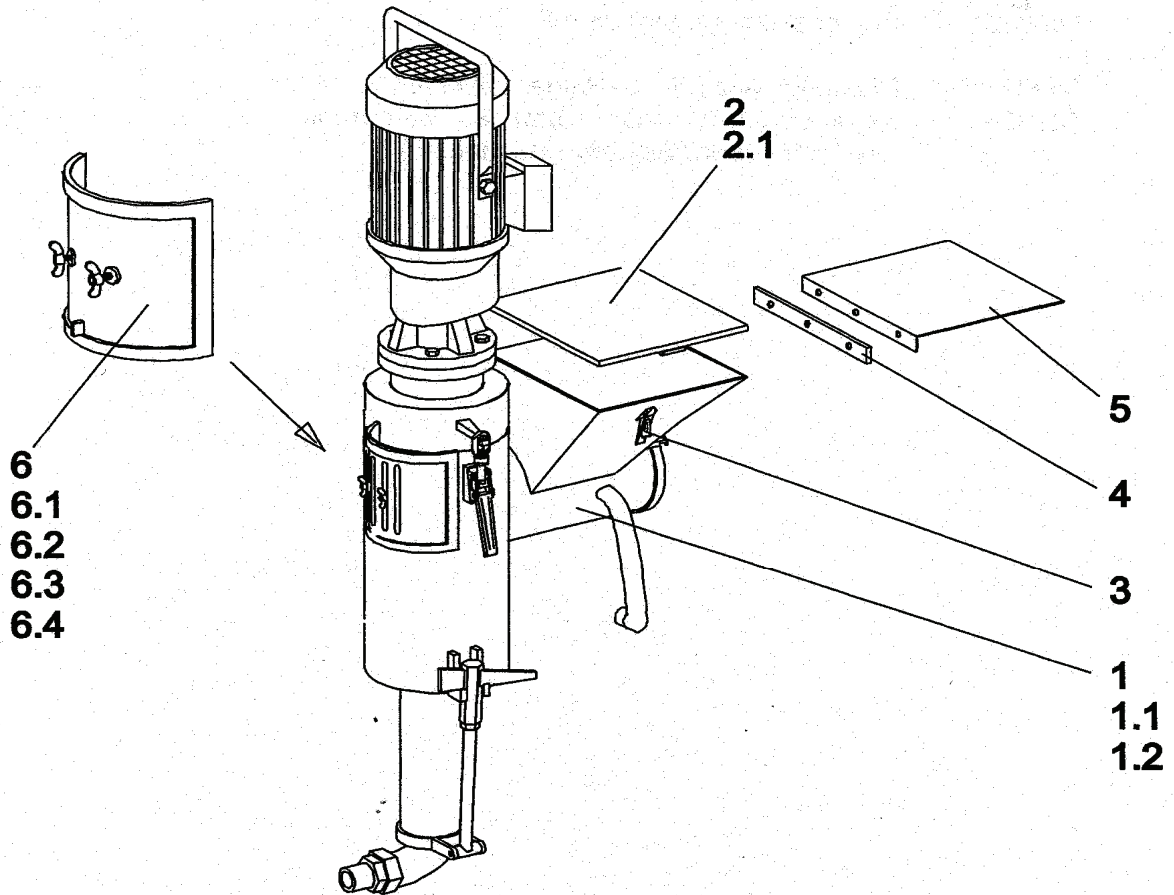
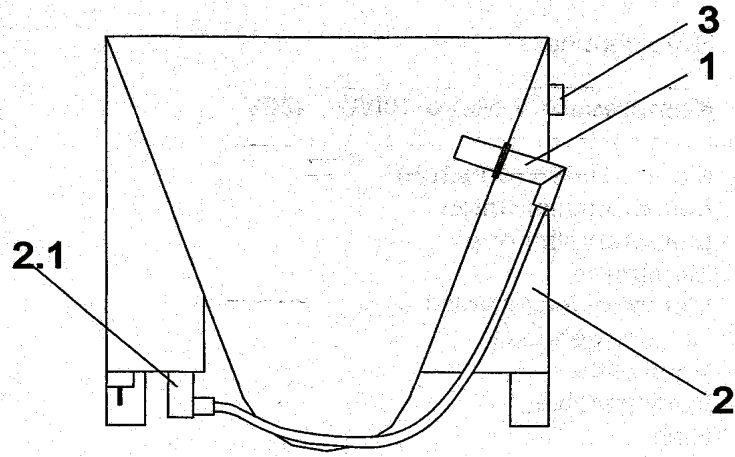
Item	Ordering No.	Description
0	608552	T70E 400V 50Hz 3ph incl. attachment parts (from 11/2002)
1	606746	Bellow 1" internal thread / external thread - 45°
2	551158	GEKA coupling 1" external thread
3	551023	Conical sieve insert
3.1	561563	Seal for GEKA coupling, packing unit 10 pieces
3.2	561273	Seal for GEKA coupling, packing unit 10 pieces
4	545116	Red. nipple 1" external thread x 1/2" internal thread, Brass
5	601403	Screw connection 1/2" internal thread / external thread
6	606125	Connecting cable 16A 5pole 6h compl.
6.1	600158	CEE Plug 16A 5pole 6h
0	608552	PQ 70 400V 50Hz 3ph incl. attachment parts (until 10/2002 n.l.a.)
1	607229	Water pump PQ 70 230/400V, 50Hz 3ph (n.l.a.)
2	551158	Bellow 1" internal thread / external thread - 45°
3	551023	GEKA coupling 1" external thread
3.1	561563	Conical sieve insert
3.2	561273	Seal for GEKA coupling, packing unit 10 pieces
4	545116	Red. nipple 1" external thread x 1/2" internal thread, Brass
5	601403	Screw connection 1/2" internal thread / external thread
6	606125	Connecting cable 16A 5pole 6h compl.
6.1	600158	CEE Plug 16A 5pole 6h





duo-mix, duo-mix2000 Air fitting compl.

Item	Ordering No.	Description
0	608574	Air fitting pre-assembled
1	601722	Elbow 1/2" internal thread
2	608578	Air hose 1/2" - 0.33 m compl.
2.1	530035	Air hose 1/2", 40m Roll
2.2	561230	Jurid terminal 1/2"
2.3	601729	Hose clip 1/2"
2.4	561224	Hose clip 1/2" internal thread with 1/2" sleeve nut
3	545227	Brass Red. nipple 1/2" external thread 1/4" external thread
4	608577	Air hose 1/2", 0.9m compl.
4.1	530035	Air hose 1/2", 40m Roll
4.2	561230	Jurid terminal 1/2"
4.3	601729	Hose clip 1/2"
4.4	561232	GEKA coupling 1/2" with nozzle
6	552032	T-Piece 1/2" internal thread
7	601037	Pressure monitor 0.5-8bar 1/4" without pre-settings
	607053	Pressure monitor pre-set to 1.8bar
7.1	608079	Connecting cable with 4-pole plug compl.
7.2	601057	Catch box 4-pole
7.3	573012	Coupling plug 4-pole beveled
7.4	549288	PVC screw connection PG9 with bend protection
8	602049	Pressure switch 0.5-5bar without pre-settings
8.1	601057	Catch box 4-pole
9	545102	Double nipple 1/2" external thread , Brass
10	561200	GEKA coupling 1/2" internal thread
11	580524	Tube bracket 1/2"
12	580032	Cover plate for the tube bracket
13	572007	Elbow - 45° - 1/2" internal thread / external thread, galvanized
15	608576	Non-return valve



**Dry material sensor compl.**

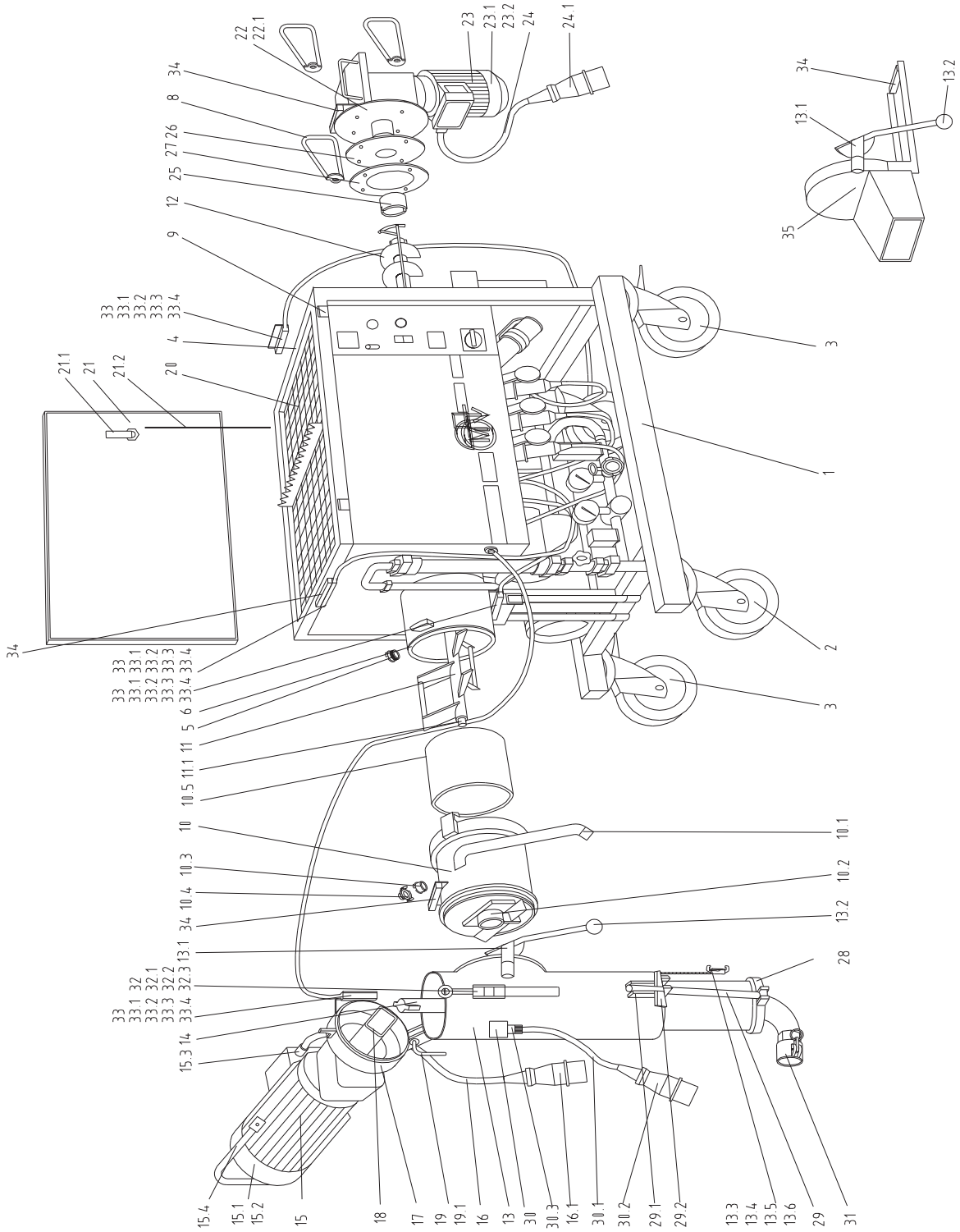
Item	Ordering No.	Description
0	608496	Dry material sensor compl. incl. turn switch
1	608077	Dry material sensor incl. connecting cable, without turn switch
1.1	545368	TMS sensor (capacitive)
2	608078	Cable for the sensor with 5-pole plug
2.1	605092	Sensor plug 5-pole
3	608495	Pre-fitted turn switch

**Mixing Pipe with Funnel, compl.,
for Processing Pasteous Materials**

0	608075	Mixing pipe with funnel incl. attachment parts (items 1- 6)
1	608076	Mixing pipe with funnel
1.1	608085	Rubber seal D214/186 x 3
1.2	608086	Rubber seal D195/180 x 3
2	608089	Cover for the funnel
2.1	530153	Seals 15 x 5 (cut goods)
3	552836	Clamping catch
4	608088	Strip for the PVC cover
5	608087	PVC - cover
6	608080	Sealing cover for the pump mixing pipe
6.1	608081	Sealing cover for the pump mixing pipe
6.2	608082	Rubber seal
6.3	608083	Screw washer
6.4	551151	Wing nut M8

**Mixing Pipe with Funnel, SI-Version compl.,
for Processing pasteous materials**

0	608090	Mixing pipe with funnel, SI-Version incl. attachment parts (items 1-7),
1	608091	Mixing pipe with funnel
1.1	608085	Rubber seal, D214/186 x 3
2	608092	Cover for funnel
2.1	530153	Microcellular rubber seal, 15x5, cut ware
3	552836	Toggle-type closure
4	608088	Strip for PVC cover
5	608087	PVC cover
6	608080	Sealing lid for pump mixing pipe incl. add-on parts (items 6.1-6.4)
6.1	608081	Sealing lid for pump mixing pipe
6.2	608082	Rubber seal
6.3	608083	Washer
6.4	551151	Wing nut, M8
7	601388	Magnet passive



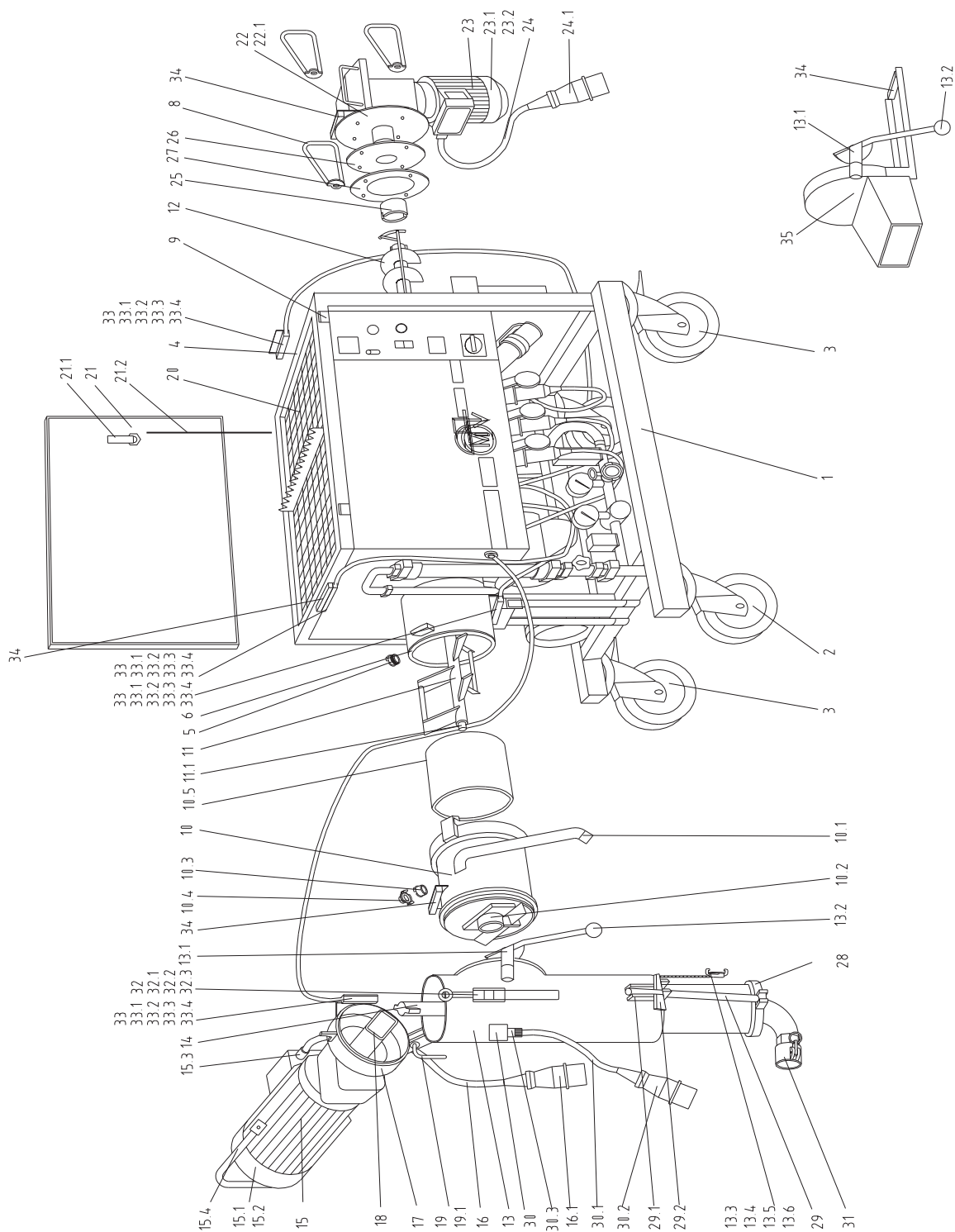


duo-mix SI Series 416 Spare Parts

duo-mix-SI Series 416

Item	Ordering No.	Description
0	607600/001	duo-mix-SI Series 416 (n.l.a.)
2	609207	Solid rubber wheel, ø 250 x 70, without brake
3	609208	Solid rubber wheel, ø 250 x 70, with brake
5	573023	GEKA coupling 3/4" IT
5.1	561273	Seal for GEKA coupling, packing unit 10 pieces
6	605042	Rubber insert f. dosing chamber
8	605218	Closing lever right
9	605325	Counter hook for feedinghood-handle
10	607627	mixing pipe short compl. with rubber insert
10.1	600363	Rubber cap
10.2	545061/001	Mixing shaft bearing, PU
10.3	561200	GEKA coupling 1/2" IT
	561273	Seal for GEKA coupling, packing unit 10 pieces
10.4	600390	GEKA blind coupling
10.5	607049	Rubber insert for mixing pipe short
11	607024	Mixing shaft short (Alpha half)
11.1	561113	Bearing bush for mixing shaft
12	607036	Conveyor screw duo-mix pitch 50
13	607019	mixing pipe for pump (without changing flange)
13.1	605216	Closing lever mixing pipe for pump
13.2	605016	Button
13.3	573023	GEKA coupling 3/4" IT
	561273	Seal for GEKA coupling, packing unit 10 pieces
13.4	600390	GEKA blind coupling
13.5	608529	Changing flange for D4-Stators
13.6	551159	Spring plug 4 mm
14	607040	Pump mixing shaft
15		Motor 5,5kW, 230/400V, 400rpm compl.until 06/1995
15.1		Spur gear motor 5,5kW, 400rpm
15.2	545029	Ventilator cover for motor 5,5kW
15.3	545028	Ventilator blade for motor 5,5kW
15.4	601149	Motor handle for Motor 5,5kW
15.5	606097	Drive shaft ø 30 x 58
15.6	607991	Gear wheel set size 1, z=17/36
15*	606656	Motor 5,5kW, 230/400V, 400rpm compl.
15.1*	607158	Planetary drive 5,5kW, 400rpm
15.2*	607159	Ventilator cover for planetary drive
15.3*	560008	Ventilator blade for motor
15.4*	606159	Motor handle for planetary drive
15.5*	607997	Drive shaft ø 30 x 58 for planetary drive
15.8	560964	Rotary shaft seal DIN3760; 30x52x7A NB
15.9	607998	Bearing DIN720 32007
16	601028	Connecting cable 4x1,5, 1,63m compl.
16.1	600158	CEE plug 16A 5pole 6h
17	606610	Motor connection duo-mix
18	601168	Catch coupling for motor 5,5kW

* valid for duo-mix version from 7/1995 on

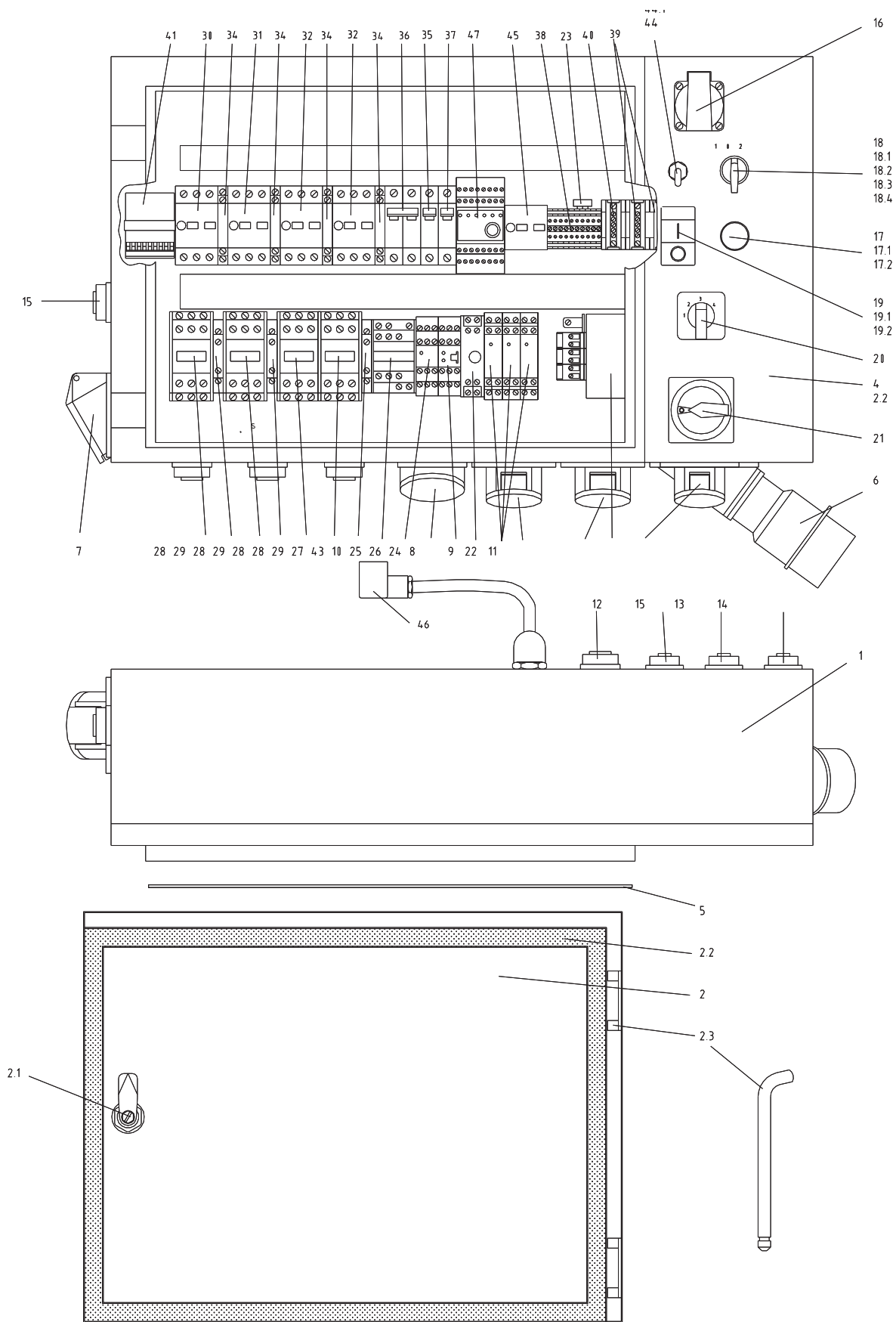




duo-mix-SI Series 416 Spare Parts

duo-mix-SI Series 416

Item	Ordering No.	Description
19	605076	Holding bolt with handle galv. 80mm
19.1	600371	Spring plug 3mm galv.
20	606674	Protective grid with bag opener
21.1	605012	Locking handle
21.2	530080	Edge protection per meter
22	607012	Motor plate duo-mix
22.1	540035	Grease nipple B M6x1
23	607652	Mixer motor 3,0kW, 230/400V, 260rpm compl. with add. parts
23.1	607052	Gear motor for screw 3,0kW 260 U
23.2	605162	Ventilator cover for motor 3,0kW
23.3	561919	Ventilator blade for motor 3,0kW
23.4	607995	Drive shaft \varnothing 30 x 60
23.5	607994	Worm and worm drive
23.6	607993	Gear wheel set size 1, z=20/41
23.7	546993	Bearing DIN720 32006
23.8	545991	Rotary shaft seal DIN3760/30x40x7A NB
24	605069	Connecting cable 4x1,5, 1m compl.
24.1	600158	CEE plug 16A 5pole 6h
25	605054	Motor coupling D = 25mm
26	560005	Rubber sealing D = 160
27	560006	Pressure flange
28	606016	Pump end piece compl. with coupling F35 and tension rods
29	605031	Tension rod short galv.
29.1	605032	Tension nut M16 duo-mix, SMP
29.2	546654	Clamping wedge galv.
30	605248	m-tec sensor without electric part compl.
30.1	605092	Sensor plug 5-pole
31	607005	Quick coupling for mortar hose F35, 1 1/2" IG
32	600044	Eccentric lock 6043S
32.1	545087	Ring nut
32.2	545081	Straining screw
32.3	545087	Clamping sleeve
33	565658	Magnetic switch with cable compl. 1,5m
33.1	601387	Magnetic limit switch with cable
33.2	530093	Protection tube, metal, per meter
33.3	606655	End-piece for protection tube, brass
33.4	573012	Coupling plug 4-pin, angled
34	601388	Magnetic system
35	606618	Safety outlet, compl.



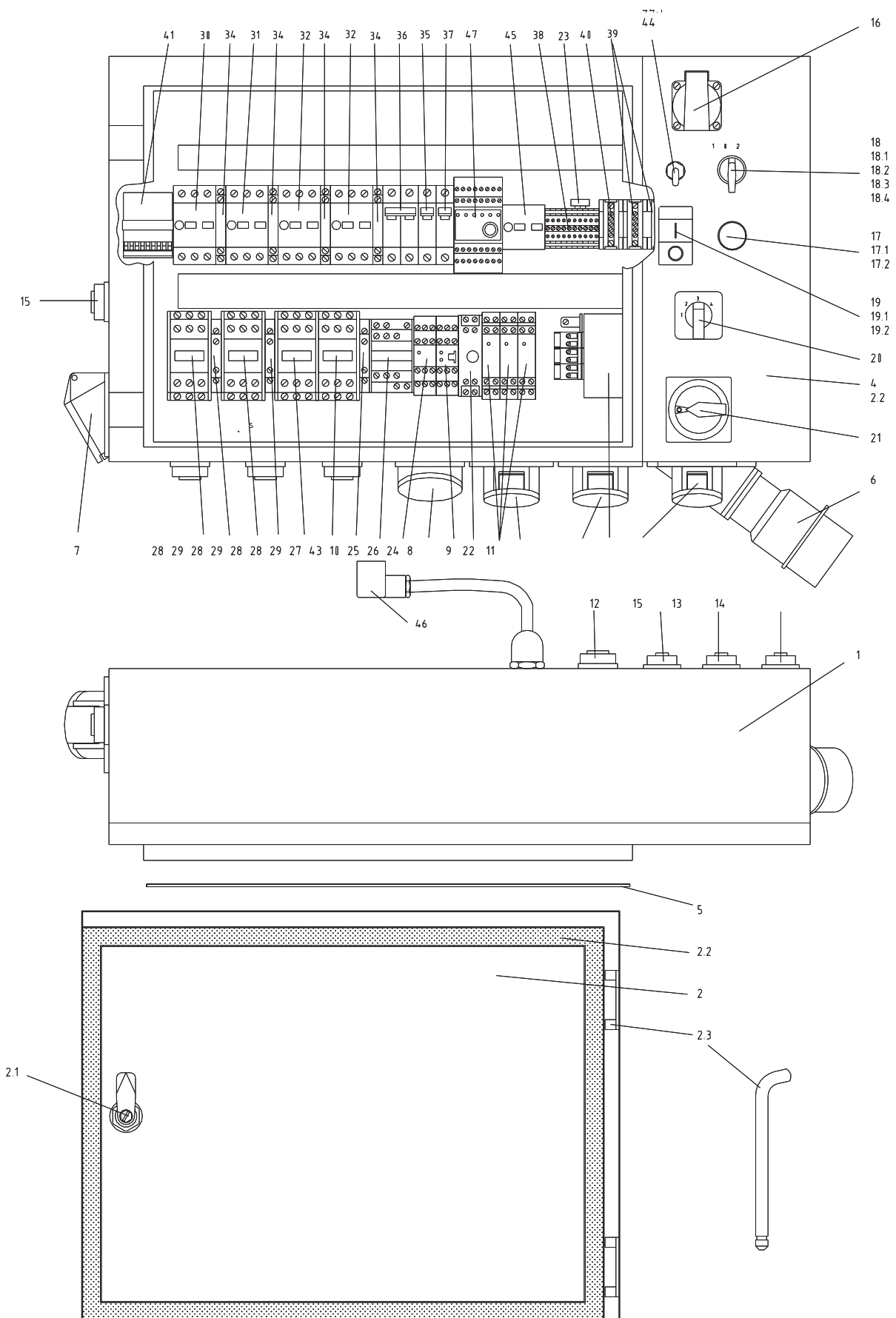


duo-mix-SI Series 416 Spare Parts

Control panel 400V with water pump

Item	Ordering No.	Description
0	607620	Control panel duo-mix-SI compl.
1	606615	Housing, raw
2	605213	Door for panel duo-mix
2.1	605012	Locking handle compl.
2.2	530060	Rubber seal 15 x 5 per meter
2.3	572090	Door hinge 1069 U 1
5	605214	PVC cover plate
6	600239	CEE plug 32A 5pole 6h
7	546606	CEE socket 16A 5pole 6h
8	570020	CEE socket 16A 4pole 6h
9	601075	CEE socket 16A 5pole 6h
10	601744	CEE socket 16A 5pole 6h
11	554068	CEE socket 16A 3pole 9h
12	605221	Flange socket 5-pole
13	601071	Flange socket 2-pole
14	601072	Flange socket 3-pole
15	573011	Flange socket 4-pole
16	570026	Shock-proof socket 16A 2pole
17	549843	Signal lamp blue compl. 24V
17.1	549844*	Lamp holder
17.2	574038*	Lamp socket
17.3	700532*	Bulb 24V 2W
*		Siemens stopped signal lamp program so the compl. item 549843 has to be ordered
18	574045	Push-button compl. 1S black
18.1	574046*	Push-button with supporting stand
18.2	574047*	Protective cap transparent
18.3	574043*	Control element 1 normally open contact
*		Siemens stopped the push button programm, so the compl. item 574045 has to be ordered
19	574033	Dual push-button compl. with indicator lamp 24V
19.1	574034*	Dual push-button
19.2	574035*	Touch membrane
19.3	574043*	Control element 1 normally open contact
19.4	574037*	Control element 1 normally closed contact
19.5	574038*	Lamp socket
19.6	700532*	Bulb 24V 2W
*		Siemens stopped the push button programm, so the compl. item 574033 has to be ordered

Attention: If changing to Siemens new parts the adapter set 574048 is needed

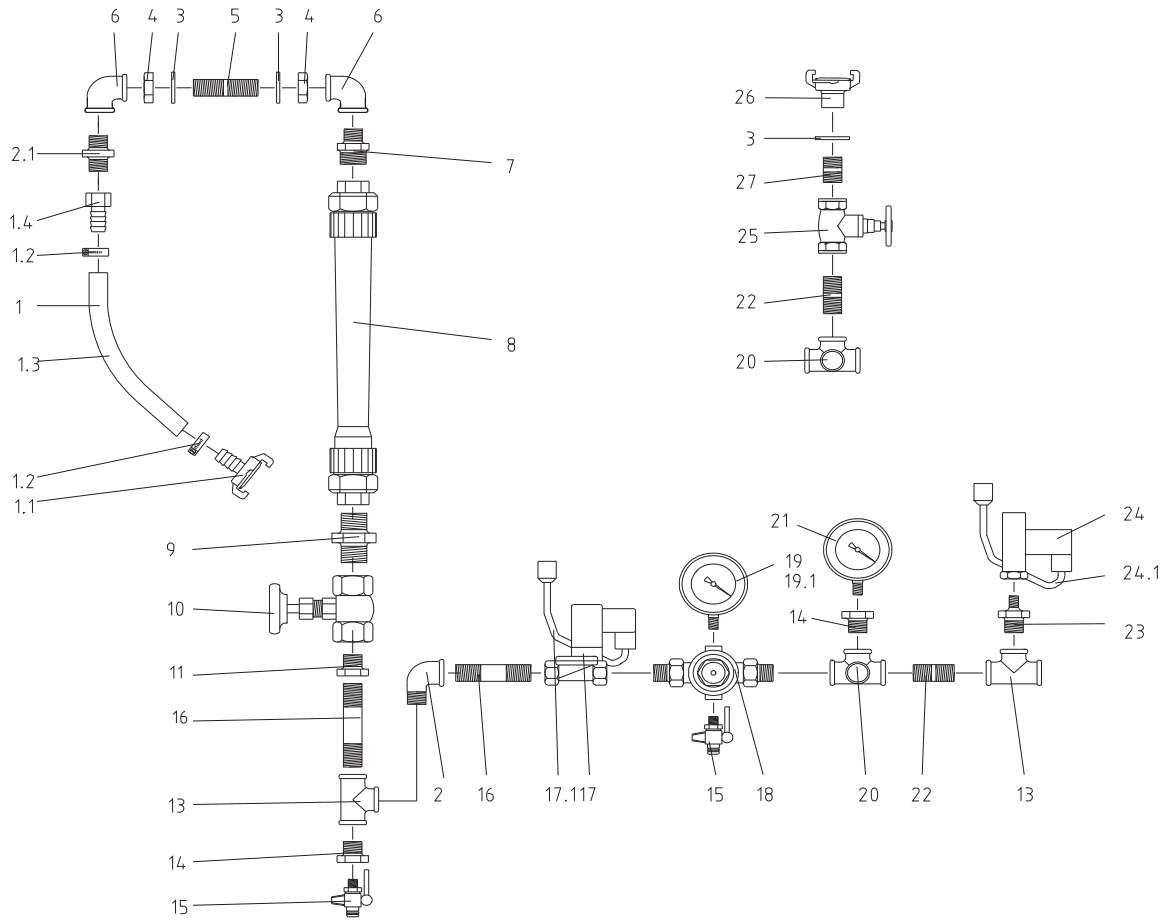




duo-mix-SI Series 416 Spare Parts

Control panel 400V with water pump

Item	Ordering No.	Description
20	545165	4 stage switch "Frequency / Speed"
21	601837	Main switch
22	606215	Transformer prim 230/400V sec.24V,100 VA
23	545182	Bridge rectifier
24	601324	Mains isolation relay 24-42V 6A 2 Way contact, AC/DC
25	559510	Time relay Function A
26	559510	Time relay Function A
27	545729	Contactors 11kW 24V~ 3H1S1Ö
28	569126	Contactors 5,5kW 24V~ 3H1S1Ö
29	545532	Contactors 4kW 24V~ 3H1S
30	601321	Motor protection switch 10-16A
31	601635	Motor protection switch 6,3-10 A
32	601322	Motor protection switch 1,6-2,5 A
34	546688	Auxiliary contact
35	580535	Circuit breaker C 2A 1P
36	601740	Circuit breaker C 0,5A 2P
37	570011	Circuit breaker B 16A 1P
38	545172	Connector 2,5qmm 10-pole
39	554101	PE terminal, 7 connection points
41	545203	Electronic part probe duo-mix
43	545199	Phase sequence relay 230 - 440V
44	572042	Tumbler switch
44.1	572107	Rubber protective switch
45	545532	Contactors 4kW 24V~ 3H 1S
46	601057	Conductor outlet, 4-pole
47	606216	Safety switch monitoring device (not shown)

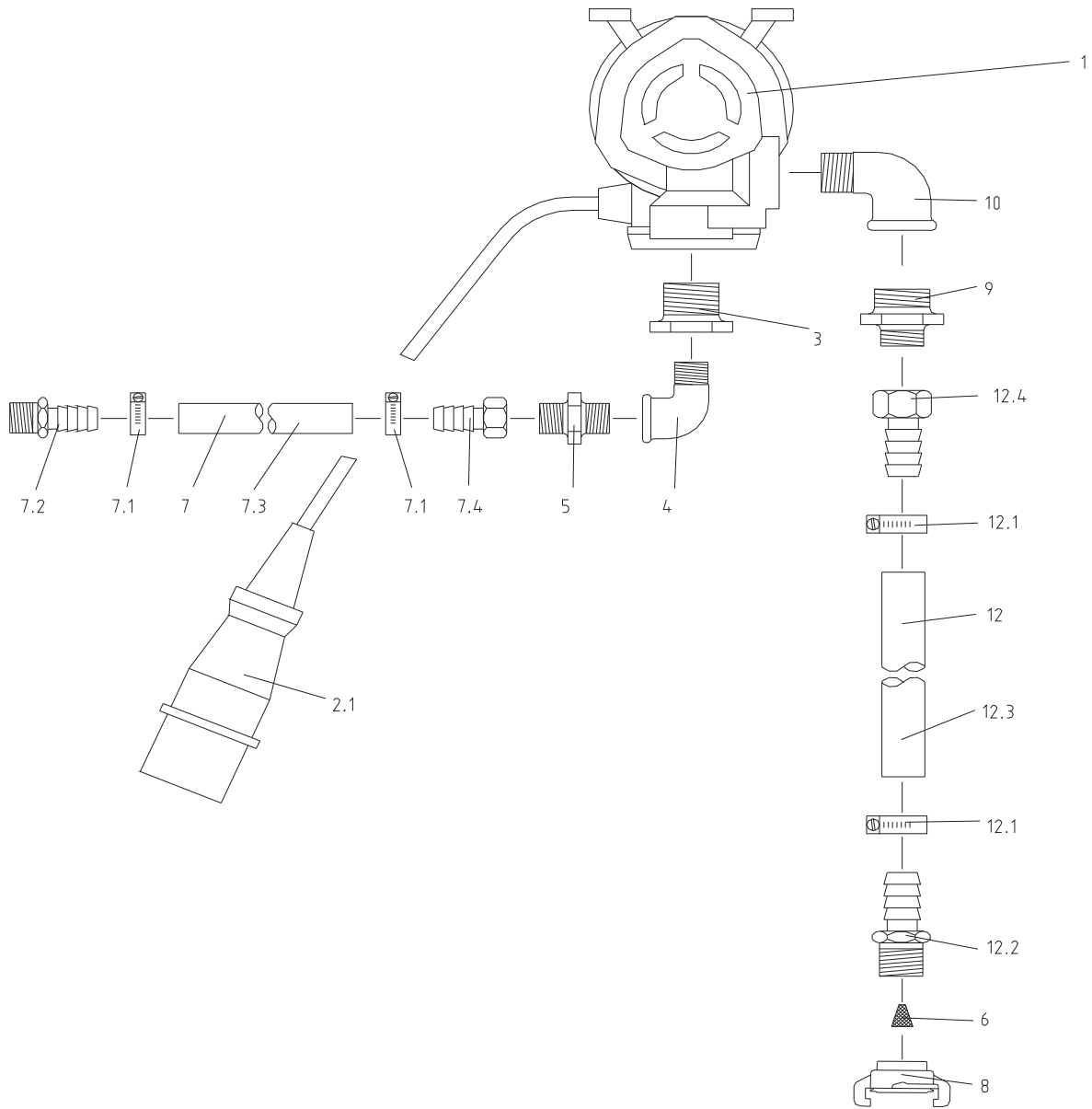




duo-mix-SI Series 416 Spare Parts

Water fitting

Item	Ordering No.	Description
0	607050	Water fitting preassembled
1	605080	Water hose 1/2" 1m compl.
1.1	561232	GEKA coupling 1/2" with nozzle
1.2	601121	Hose clamp 12-20
1.3	530054	Water hose 1/2" per meter
1.4	561224	Hose nozzle with connection nut 1/2" IT
8	561268	Water meter 160-1600 l/h compl.
8.1	561267	Red. nipple flow meter 3/4"
8.2	561219	O-Ring 30 x 3,5
8.3	561264	Connection nut f. flow meter 3/4"
8.4	561265	PVC connection nut
8.5	561238	Water meter 160-1600 l/h
8.6	561266	Measuring coil f. water meter
10	546693	Valve for fine adjustment 3/4"
15	561216	Drainage tap, brass, 1/4" ET
17	601040	Solenoid valve 1/2" 24V compl.
17.1	605038	Connecting cable for solenoid valve with plug 3-pole kpl. 0,8m
17.2	561209	Diaphragm for solenoid valve 1/2"
17.3	601115	Coil for solenoid valve 24V DC
17.4	561215	Cover for solenoid valve
17.5	561988	Set of wearing parts
18	607046	Pressure reducer 1/2" (low-pressure version)
18.1	607047	Diaphragm for pressure reducer 1/2"
18.2	561205	Double sieve for pressure reducer 1/2"
18.3	561207	Sieve cover for pressure reducer 1/2"
19	571013	Pressure gauge 0-4bar
19.1	600488	Rubber cap NG 63 for pressure gauge
21	571019	Pressure gauge 0-16bar
24	601037	Pressure control 0,5-8bar 1/4" without pre-adjustment
	607054	Pressure control pre-adjusted to 2,2bars
24.1	601043	Connecting cable for pressure control water with plug 2-pole compl.
25	600057	Needle valve 1/2"
26	561263	GEKA coupling 1/2" ET
26.1	561273	Sealing for GEKA coupling

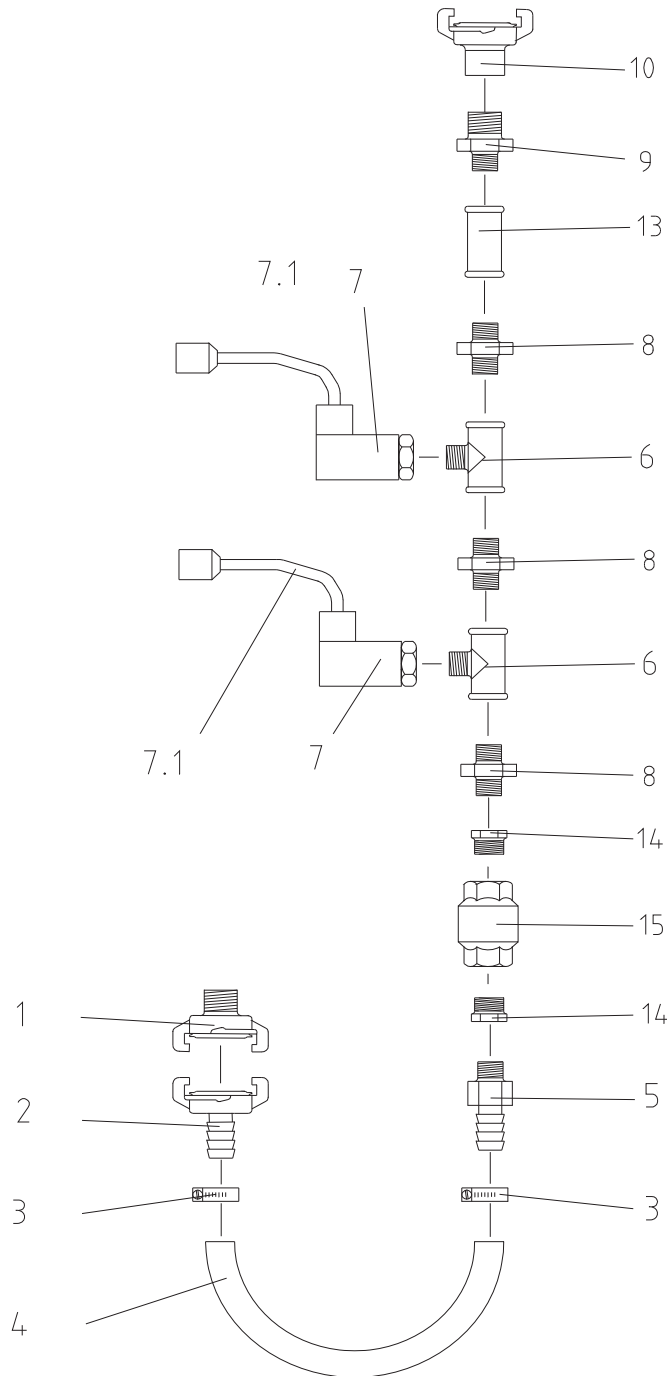




duo-mix-SI Series 416 Spare Parts

Water pump T 70E compl. with Add-On Parts

Item	Ordering No.	Description
0	606748	Water pump NT 70 400V 50Hz compl. with turned pump head, compl. For water pump spare parts, refer to catalogue 'Accessories'.
1	606749	Water pump NT 230/400V 50Hz
2	606125	Connecting calbe for water pump 4x1 cl. 0,7m
2.1	600158	CEE plug 16A 5pole 6h
6	561563	Sieve, cone-shaped
7	606128	Water hose 1/2", 470mm compl. with nozzle
7.1	601121	Hose clamp 12 - 20
7.2	601729	Hose nozzle 1/2"/1/2" ET, brass
7.3	530054	Water hose 1/2" clear per meter
7.4	561224	Hose nozzle 1/2" with connection nut
8	573023	GEKA coupling 3/4" IT
8.1	561273	Seal for GEKA coupling, packing unit 10 pieces
12	606728	Water hose 3/4 " 470mm compl.
12.1	545062	Hose clamp 20 - 32mm
12.2	545214	Hose nozzle 3/4"x3/4" AG
12.3	530049	Trix water hose 3/4", 40 meter roll
12.4	574104	Hose nozzle 3/4" IT with connecting nut
0	606745	Water pump T 70E 400V 50Hz compl. (until 03/1997) For water pump spare parts, refer to catalogue 'Accessories'.
1	606746	Water pump T 70E 230/400V 50Hz 3ph





Air Fitting compl.

Item	Ordering No.	Description
0	607075	Air fitting preassembled
1	600141	GEKA coupling 1/4" ET
1.1	561273	Seal for GEKA coupling, packing unit 10 pieces
2	600139	GEKA coupling with hose nozzle 3/8"
3	600140	Juri hose clamp 3/8" 16-18mm
4	600138	Air hose 3/8", 0,9m compl.
5	600502	Hose nozzle, brass, 3/8"x1/4" ET
6	601048	T-piece 1/4"
7	601037	Pressure switch, 1/4", 0.5-8bar, not preset
	607053	Pressure switch, preset to 1.8bar
7.1	608079	Connecting cable with plug, 4-pole, compl.
7.2	601057	Line conn. box, 4-pole (pressure switch connection)
7.3	573012	Coupling plug, 4-pole, straight
7.4	549288	PVC Gland, PG9, with anti-kink device
8	546692	Twin nipple 1/4" AG MS
9	545113	Reducing nipple 1/2"x1/4" ET
10	561200	GEKA coupling 1/2" IT
10.1	561273	Seal for GEKA coupling, packing unit 10 pieces
11	601036	Bow 1/4" ET
12	600142	Bow 1/4" IT - ET
13	700686	Bushing 1/4" IT
14	580115	Reducing nipple 3/8" ET - 1/4" IT MS
15	545121	Return valve 3/8" IT