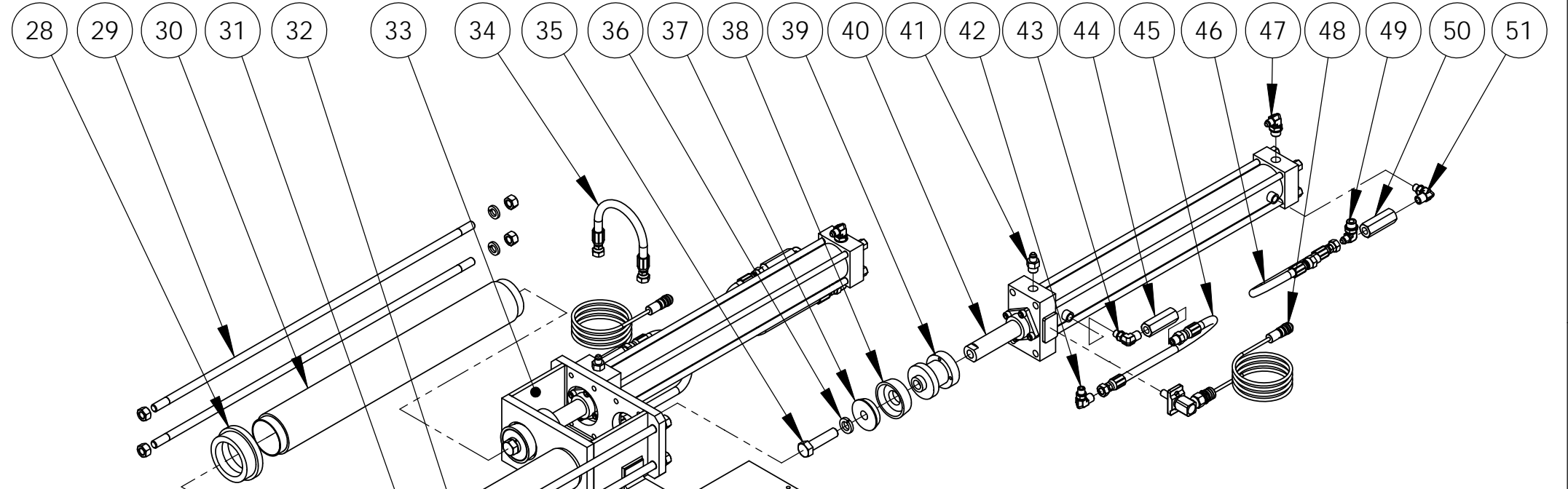
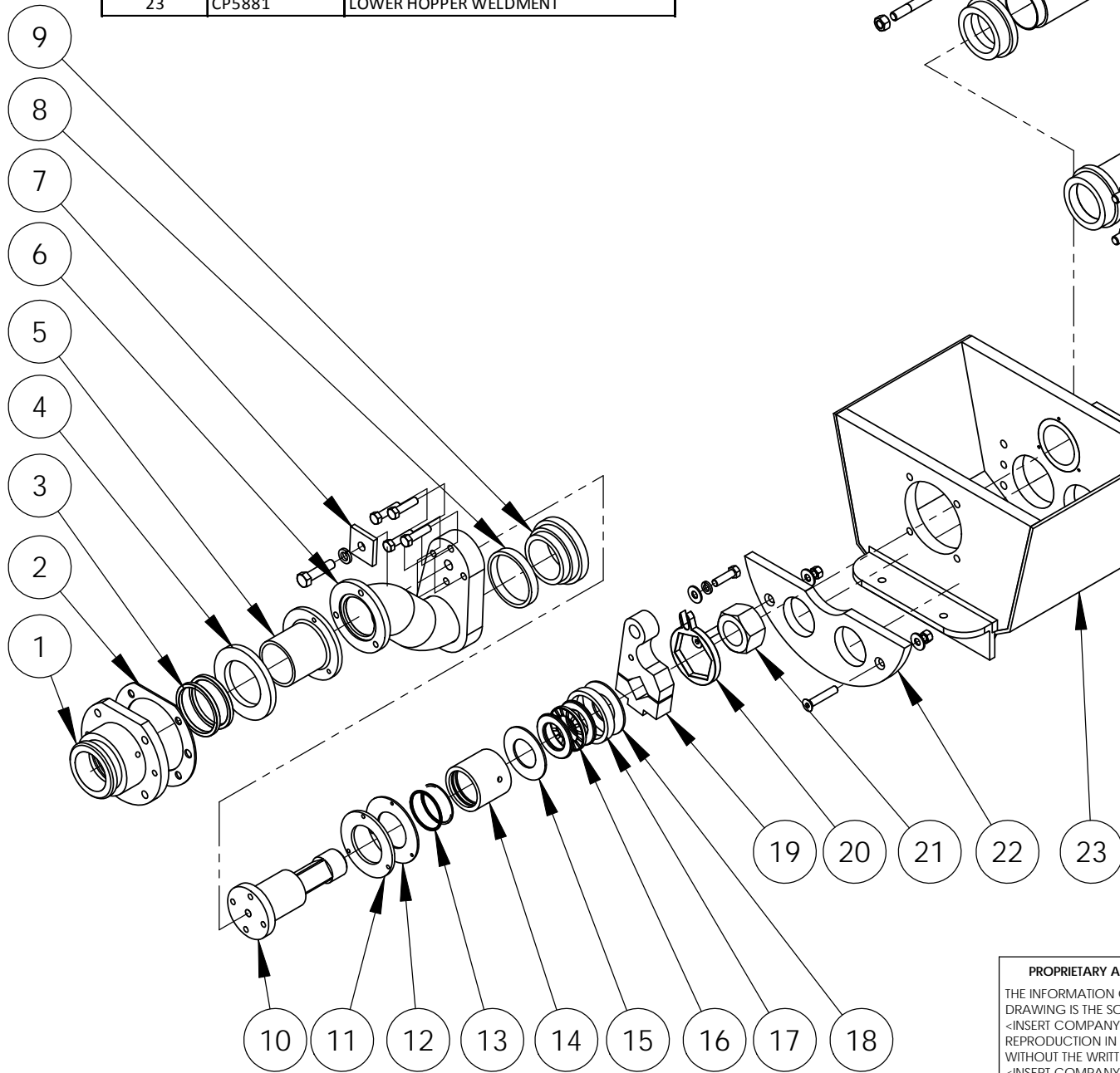


8 7 6 5 4 3 2 1

ITEM NO.	MFG. PART #	DESCRIPTION
1	CP017	OUTGOING HOUSING
2	CP089	OUTGOING HOUSING GASKET
3	CP004	POLY PACK
4	CP037	FILLER GASKET
5	CP015	SWING SLEEVE
6	CP1000	SWING ARM ASSEMBLY
7	CP078	BOLT KEEPER
8	CP008	WEAR RING SEAL
9	CP007	WEAR RING
10	CP021	SWING TUBE SHAFT
11	CP019	BACK UP PLATE
12	CP091	GASKET FOR SWING SHAFT
13	CP029	POLY PACK
14	CP026	BRONZE BEARING
15	CP169	THRUST BEARING RETAINER
16	CP035	THRUST BEARING
17	CP281	THRUST BEARING COVER
18	CP169	THRUST BEARING RETAINER
19	CP023	INDEX ARM
20	CP090	SWING ARM NUT RETAINER
21	CP025	2" NUT
22	CP006	WEAR PLATE
23	CP5881	LOWER HOPPER WELDMENT



ITEM NO.	MFG. PART #	DESCRIPTION
24	CP066	CLEVIS PIN
25	CP065	SWING TUBE CYLINDER CLEVIS
26	CP066A	SWING TUBE MOUNTING CLEVIS PIN
27	CP107A	WASH BOX COVER
28	CP022	COLLAR FOR PUMPING TUBE
29	CP024	TIE ROD
30	CP012	PUMPING TUBE
31	CP217	HYDRAULIC CYLINDER FOR SWING TUBE
32	8MP8MJ90	HYDRAULIC FITTING
33	CP027	WASH BOX
34		HYDRAULIC HOSE ASSEMBLY
35	CP5882	CUP SEAL BOLT
36	CP5883	CUP SEAL LOCK WASHER
37	CP013B	CUP SEAL RETAINER
38	CP014	CUP SEAL
39	CP020	CUP HOLDER
40	CP202	HYDRAULIC CYLINDER FOR SWING TUBE
41	8MB8MJ	HYDRAULIC FITTING
42	8MB6MP90	HYDRAULIC FITTING
43	6MB6MP90	HYDRAULIC FITTING
44	CP204	CHECK VALVE
45		HYDRAULIC HOSE ASSEMBLY
46		HYDRAULIC HOSE ASSEMBLY
47	8MB8MJ90	HYDRAULIC FITTING
48	CP1001	PROXIMITY SWITCH
49	8MB6MJ90	HYDRAULIC FITTING
50	CP204	CHECK VALVE
51	CP6MB6MP90	HYDRAULIC FITTING



PROPRIETARY AND CONFIDENTIAL
 THE INFORMATION CONTAINED IN THIS DRAWING IS THE SOLE PROPERTY OF <INSERT COMPANY NAME HERE>. ANY REPRODUCTION IN PART OR AS A WHOLE WITHOUT THE WRITTEN PERMISSION OF <INSERT COMPANY NAME HERE> IS PROHIBITED.

		UNLESS OTHERWISE SPECIFIED:	NAME	DATE	BLASTCRETE EQUIPMENT COMPANY	
		DIMENSIONS ARE IN INCHES	DRAWN	KBJ		3-21-10
		TOLERANCES:	CHECKED	CM		3-21-10
		FRACTIONAL ± 1/32	ENG APPR.			
		ANGULAR ± 0°-30°	MFG APPR.			
		XX = ± 0.15	Q.A.			
		XXX = ± 0.05	COMMENTS:			
		INTERPRET GEOMETRIC TOLERANCING PER:			TITLE:	
		MATERIAL			EXPLODED PUMP ASSEMBLY	
NEXT ASSY	USED ON	FINISH			SIZE	
					B	
					DWG. NO.	
					Exploded Pump Assy	
					REV	
					1	
APPLICATION		DO NOT SCALE DRAWING			SCALE: 1:11	
					WEIGHT:	
					SHEET 1 OF 1	

8 7 6 5 4 3 2 1