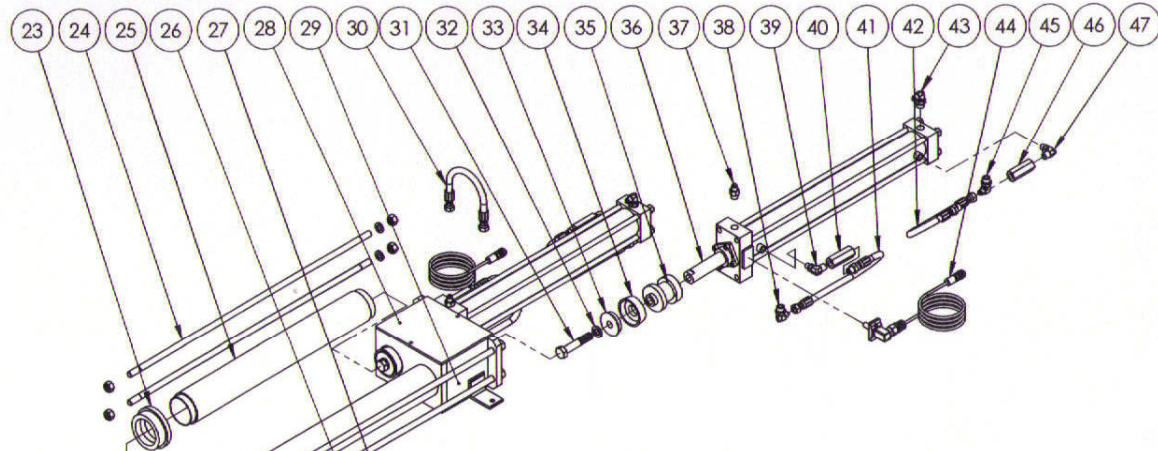
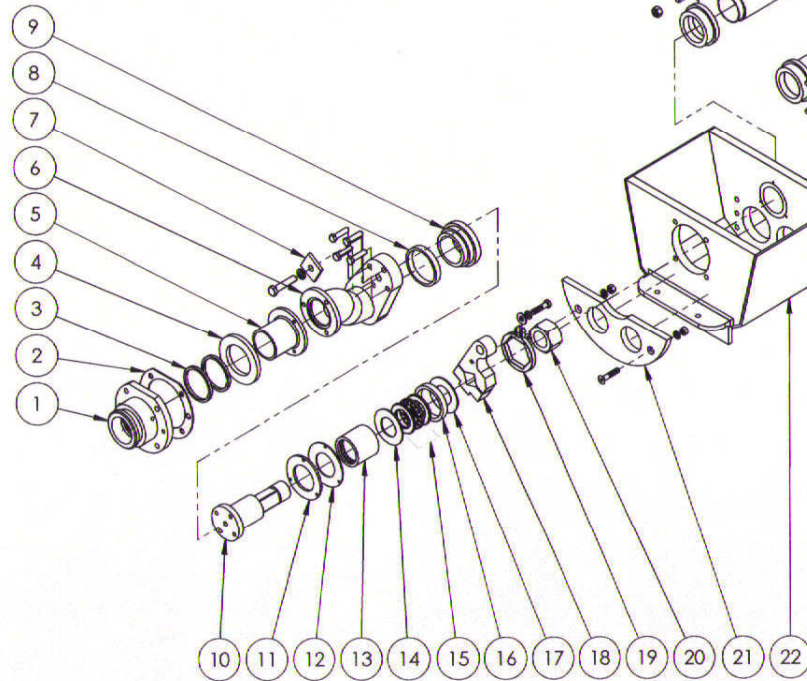


ITEM NO.	MFG. PART #	DESCRIPTION
1	CP017	OUTGOING HOUSING
2	CP089	OUTGOING HOUSING GASKET
3	CP004	POLY PACK
4	CP037	FILLER GASKET
5	CP015	SWING SLEEVE
6	CP1000	SWING ARM ASSEMBLY
7	CP078	BOLT KEEPER
8	CP008	WEAR RING SEAL
9	CP007	WEAR RING
10	CP021	SWING TUBE SHAFT
11	CP019	BACK UP PLATE
12	CP091	GASKET FOR SWING SHAFT
13	CP026	BRONZE BEARING
14	CP169	THRUST BEARING RETAINER
15	CP035	THRUST BEARING
16	CP281	THRUST BEARING COVER
17	CP169	THRUST BEARING RETAINER
18	CP023	INDEX ARM
19	CP090	SWING ARM NUT RETAINER
20	CP025	Z' NUT
21	CP006	WEAR PLATE
22	CP5881	LOWER HOPPER WELDMENT



ITEM NO.	MFG. PART #	DESCRIPTION
23	CP022	COLLAR FOR PUMPING TUBE
24	CP024 3x18	TIE ROD
25	CP012 3x18	PUMPING TUBE
26	CP217	HYDRAULIC CYLINDER FOR SWING TUBE
27	8MB8MJ90	HYDRAULIC FITTING
28	CP170A	WASH BOX COVER
29	CP027	WASH BOX
30		HYDRAULIC HOSE ASSEMBLY
31	CP5882	CUP SEAL BOLT
32	CP5883	CUP SEAL LOCK WASHER
33	CP0138	CUP SEAL RETAINER
34	CP014	CUP SEAL
35	CP020	CUP HOLDER
36	CP202 3x18	HYDRAULIC CYLINDER
37	8MB8MJ	HYDRAULIC FITTING
38	8MB6MP90	HYDRAULIC FITTING
39	6MB6MP90	HYDRAULIC FITTING
40	CP204	CHECK VALVE
41		HYDRAULIC HOSE ASSEMBLY
42		HYDRAULIC HOSE ASSEMBLY
43	8MB8MJ90	HYDRAULIC FITTING
44	CP1001	GO SWITCH ASSEMBLY
45	8MB6MJ90	HYDRAULIC FITTING
46	CP204	CHECK VALVE
47	6MB6MP90	HYDRAULIC FITTING

PROPRIETARY AND CONFIDENTIAL
 THE INFORMATION CONTAINED IN THIS
 DRAWING IS THE SOLE PROPERTY OF
 BLASTCRETE EQUIPMENT COMPANY. ANY
 REPRODUCTION IN PART OR AS A WHOLE
 WITHOUT THE WRITTEN PERMISSION OF
 BLASTCRETE EQUIPMENT COMPANY IS
 PROHIBITED.

UNLESS OTHERWISE SPECIFIED: DIMENSIONS ARE IN INCHES		NAME	DATE	BLASTCRETE EQUIPMENT COMPANY
TOLERANCES: FRACTIONAL ±1/32" ANGULAR ±1°30'		DRAWN	MRD 7-20-07	TITLE: EXPLODED PUMP ASSEMBLY
±.006 ±.015 ±.030		CHECKED	CM 7-20-07	
INTERPRET GEOMETRIC TOLERANCING PER: MATERIAL		ENG APPR.		
NEXT ASSY		MFG APPR.		
USED ON	FINISH	Q.A.	COMMENTS:	SIZE DWG. NO.
APPLICATION	DO NOT SCALE DRAWING			B Exploded Pump Assy
				SCALE: 1:12 WT:
				SHEET 1 OF 1